

LAZER Z[®] XS

DIESEL MODELS

For Serial Nos.
790,000 & Higher
Part No. 4500-380 Rev. B

Parts Manual

EXMARK PARTS PLUS

PARTS

OVERNIGHT
OR *FREE**

If your Exmark dealer does not have the Exmark part in stock, Exmark will get the parts to the dealer the next business day or the part will be FREE Guaranteed!! (Some restrictions apply. See your participating Exmark Dealer for details.)



**READ OPERATOR'S MANUAL BEFORE
OPERATING OR SERVICING EXMARK EQUIPMENT.**

TABLE OF CONTENTS

<u>Description</u>	<u>Page</u>
Cooling Group	19-20
Deck Group	3-5
Decal Group	23-24
Electrical Diagram	26
Electrical Group	25
Electrical Logic Schematic.....	27
Engine Group	15-16
Engine Deck Group	17
Front Frame Group	7-8
Fuel Group.....	11-12
Hood and Panel Group	18
Hydraulic Group.....	21-22
Main Frame Group.....	9-10
Motion Control Group	14
Park Brake Group.....	13
Spindle Assembly	6

DECK GROUP

Item	Part No.	Description	Qty.
1	1-303334	Washer, Spring Disc 5/16	1
2	1-303537	Stud, Belt Shield	2
3	1-322110	Wld, Belt Guide.....	1
4	1-323385	Knob	2
5	1-323417	Washer, Belt Shield	2
6	1-603805	Sheave, Idler.....	1
7	109-2796	Pulley, Idler	2
8	1-633456	Bushing, Idler.....	2
9	98-5961	Screw, HH 3/8-16 x 4 Gr8	1
10	98-5975	Washer, Spring Disc 3/8	3
11	103-2916	Guard, Top.....	1
12	116-0133	Spring	1
13	103-3504	Bearing, Spherical.....	2
14	103-3505	Seal, Double Lip.....	1
15	103-3506	Seal, Single Lip.....	1
16	103-5677	Spacer	1
17	103-8103-01	Latch, Belt Shield.....	2
18	109-2097	Asm, Shield W/Decal 60" RH.....	1
	109-2133	Asm, Shield W/Decal 66" RH.....	1
	109-2135	Asm, Shield W/Decal 72" RH.....	1
19	109-2096	Asm, Shield W/Decal 60" LH	1
	109-2132	Asm, Shield W/Decal 66" LH	1
	109-2134	Asm, Shield W/Decal 72" LH	1
20	105-7699	Strip-Seal, 3".....	4
21	106-7159	O-Ring.....	2

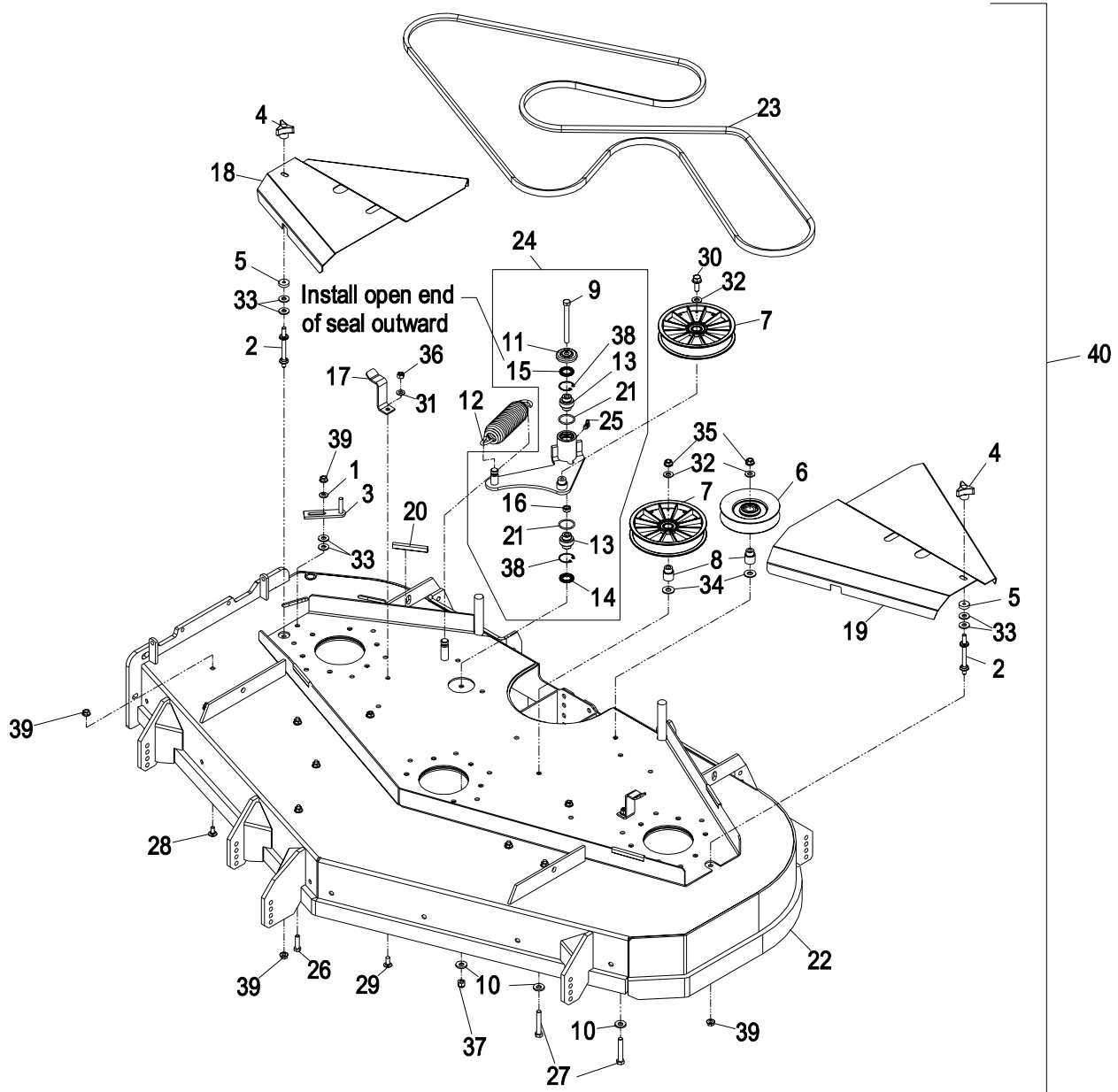
Item	Part No.	Description	Qty.
22	109-2100	Asm, Deck W/Decals 60".....	1
	109-2103	Asm, Deck W/Decals 66".....	1
	109-2105	Asm, Deck W/Decals 72".....	1
23	1-633127	Belt 60".....	1
	109-5018	Belt 66".....	1
	1-643052	Belt 72".....	1
24*	109-2095	Kit, Idler Arm W/Bearings	1
25	302-40	Zerk, 90° 1/4-28.....	1
26	322-6	Screw, HH 5/16-18 x 1 1/4.....	1
27	323-11	Screw, HH 3/8-16 x 2 1/4.....	2
28	3230-18	Bolt, Carriage 5/16-18 x 5/8.....	9
29	3230-22	Bolt, Carriage 5/16-18 x 1	2
30	3234-11	Screw, HH FLG 3/8-16 x 1	1
31	3256-23	Washer, 5/16 SAE	2
32	3256-24	Washer, 3/8 SAE	3
33	3256-3	Washer, 5/16 Std.....	6
34	3256-4	Washer, 3/8 Std.....	2
35	3290-357	Nut, Whizlock 3/8-16	2
36	3296-29	Nut, Nyloc 5/16-18	2
37	3296-39	Nut, Nyloc 3/8-16.....	1
38	32120-10	Ring, Retaining	2
39	32128-20	Nut, Whizlock 5/16-18	12
40▲	109-8525	Asm, Deck Complete 60".....	1
	109-8526	Asm, Deck Complete 66".....	1
	109-8527	Asm, Deck Complete 72".....	1

Exmark red touch up paint (spray paint – P/N 1-850337 - .6 oz liquid bottle – P/N 103-9140).

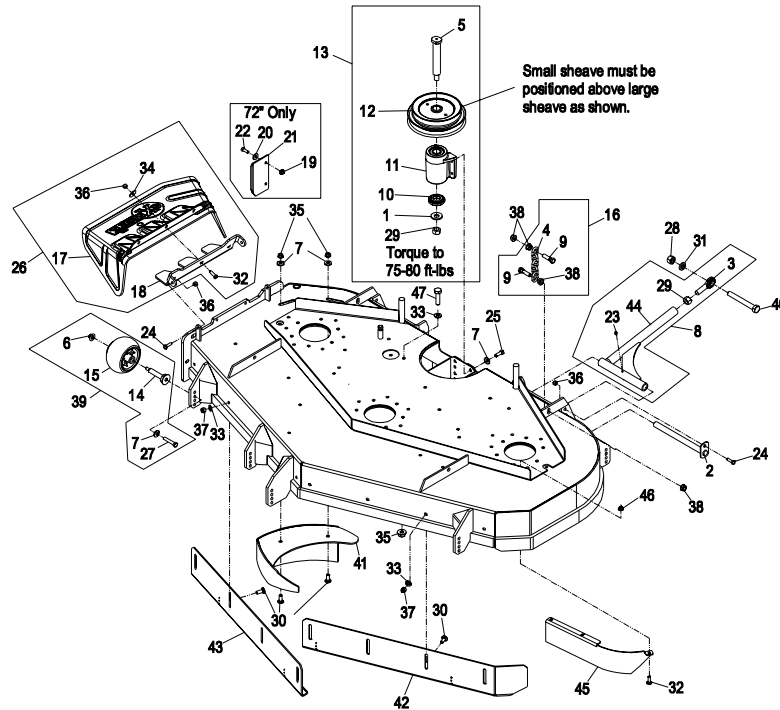
▲ Complete deck assembly includes all items from pages 3 – 5 except items (#8, #16, #28, #31,#38, and #40 from page 4) and includes mule drive belt from page 14.

* Kit also includes items #10 & #37.

DECK GROUP



DECK GROUP (cont.)



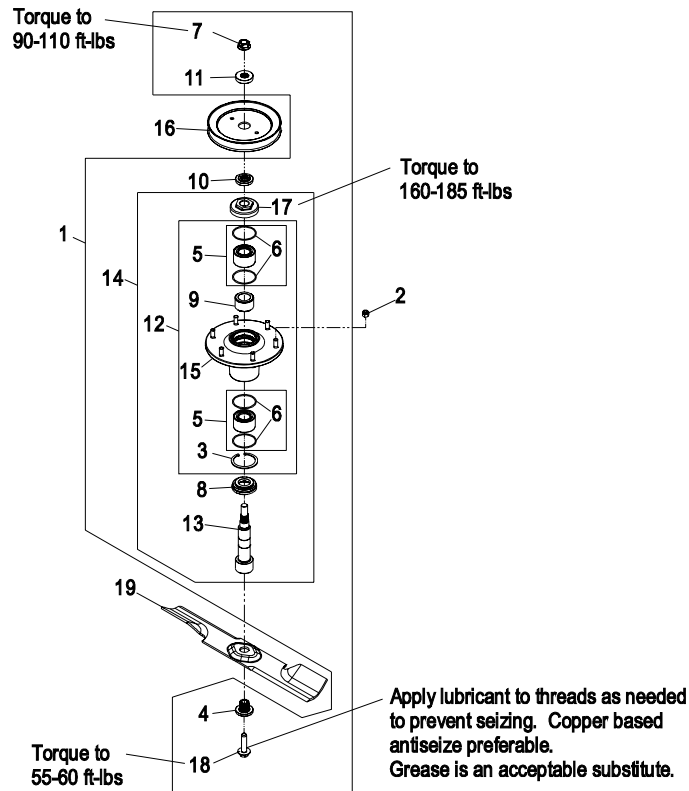
Item	Part No.	Description	Qty.
1	1-513208	Washer, Spring Disc 5/8	1
2	1-632199-01	Wld, Pin Deck Strut.....	2
3	1-633029	Balljoint	2
4	1-633447	Chain, Deck Lift	4
5●	1-643393	Jackshaft, Lazer.....	1
6	109-6658	Nut, Nyloc 3/8-16 Flg	6
7	98-5975	Washer, Spring Disc 3/8	12
8	103-8543	Asm, Strut 60".....	2
	103-8544	Asm, Strut 66" & 72"	2
9	103-1898	Screw, HH 7/16-20 x 1-5/8 Sp.....	8
10	103-2535	Spacer, Guard Bottom	1
11●	103-9746	Asm, Jackshaft Housing	1
12●	103-3046	Sheave, Jack Shaft- Double.....	1
13	103-3249	Asm, Jackshaft	1
14	109-9851	Axle, Anti-Scalp Roller	6
15	103-8415	Roller, Anti-Scalp	6
16	103-9792	Asm, Chain Deck.....	4
17	109-2739	Chute, Discharge LZ.....	1
18	109-0498-01	Hinge, Grass Discharge.....	1
19	32128-20	Nut, Whizlock 5/16-18 72".....	2
20	3256-3	Washer, 5/16 Std 72".....	2
21	103-9423-01	Deflector, Discharge 72"	1
22	322-4	Screw, HH 5/16-18 x 7/8 72".....	2
23	302-19	Zerk, 1/4-28 Str.....	4
24	322-5	Screw, HH 5/16-18 x 1	4
25	323-6	Screw, HH 3/8-16 x 1	4
26	109-2099	Asm, Discharge Chute	1
27	3211-46	Screw, HH 3/8-24 x 2 Gr8	6
28	3217-11	Nut, Hex 5/8-11.....	2

Item	Part No.	Description	Qty.
29	3219-6	Nut, Hex 5/8-18.....	3
30	3231-22	Bolt, Carriage 3/8-16 x 1	10
31	3253-8	Washer, Lock 5/8	2
32	3230-22	Bolt, Carriage 5/16-18 x 1	6
33	3256-24	Washer, 3/8 SAE.....	9
34	3256-82	Washer.....	3
35	3290-357	Nut, Whizlock 3/8-16	3
36	3296-29	Nut, Nyloc 5/16-18.....	7
37	3296-39	Nut, Nyloc 3/8-16.....	8
38	32128-37	Nut, Whizlock 7/16-14	16
39	109-2098	Kit, Anti-Scalp Roller.....	6
40	327-28	Screw, HH 5/8-11 x 5 1/2.....	2
41	109-0694-01	Wld, Dogleg 60".....	1
	109-0821-01	Wld, Dogleg 66".....	1
	109-1039-01	Wld, Dogleg 72".....	1
42	109-0701-01	Wld, Baffle Front Adj LH 60".....	1
	109-0822-01	Wld, Baffle Front Adj LH 66".....	1
	109-1044-01	Wld, Baffle Front Adj LH 72".....	1
43	109-0704-01	Wld, Baffle Front Adj RH 60"	1
	109-0823-01	Wld, Baffle Front Adj RH 66"	1
	109-1047-01	Wld, Baffle Front Adj RH 72"	1
44	109-1184	Wld, Deck Strut-Std 60".....	2
	109-1183	Wld, Deck Strut-Std 66" & 72"	2
45	109-5424-01	Baffle, Scroll 60"	1
	109-5531-01	Baffle, Scroll 66".....	1
	109-5532-01	Baffle, Scroll 72".....	1
46	104-8300	Nut, Nyloc 5/16-18 Flg	3
47	323-4	Screw, HH 3/8-16 x 3/4.....	1

Exmark red touch up paint (spray paint – P/N 1-850337 - .6 oz liquid bottle – P/N 103-9140).

- Apply Mobil HTS grease (P/N 103-5217 1.5 oz packet) (or a food-grade antisieze) between the jackshaft and bearings and jackshaft and sheaves. DO NOT use a copper or nickel based antisieze.

SPINDLE ASSEMBLY



Item	Part No.	Description	Qty.
1	109-2102	Asm, Cutter Housing Complete.....	3
2	3296-39	Nut, Nyloc 3/8-16	18
3	92-5581	Retaining Ring, Internal.....	3
4	103-3037	Bushing, Splined	3
5	109-2064	Asm, Bearing W/O-Rings	6
6	103-5895	O-Ring	12
7	109-7033	Nut, Flange 5/8-18 Centerlock	3
8	103-9504	Guard, Bottom	3
9	103-9506	Spacer, Bearing	3
10	103-9522	Spacer, Splined Stepped	3
11	103-9523	Spacer, Splined	3
12	103-9539	Asm, Cutter Housing.....	3
13●	109-6881	Spindle, Double Spline.....	3
14	109-6917	Asm, Spindle Housing.....	3
15	109-0764	Asm, Housing W/Studs.....	3
16	109-1023	Sheave, Blade Drive 60"	3
	109-0914	Sheave, Blade Drive 66"	3
	109-0929	Sheave, Blade Drive 72"	3
17	109-1058	Nut, Spindle 7/8-14	3

Item	Part No.	Description	Qty.
18	109-9220	Screw, SEMS 1/2-20 x 2.19.....	3
19	103-8240	Blade, Low Lift 60"	3
	103-8396	Blade, Medium Lift 60"	3
	103-8239	Blade, High Lift Solid 60"	3
	109-6463	Blade, High Lift Notched 60"	3
■	109-5396	Blade, Mulch 60"	3
	103-9629	Blade, Extreme 60"	3
	103-9616	Blade, Low Lift 66"	3
	103-9619	Blade, Medium Lift 66"	3
	103-9617	Blade, High Lift Solid 66"	3
	109-6464	Blade, High Lift Notched 66"	3
■	109-5878	Blade, Mulch 66"	3
	103-9630	Blade, Extreme 66"	3
	103-9622	Blade, Low Lift 72"	3
	103-9625	Blade, Medium Lift 72"	3
	103-9623	Blade, High Lift Solid 72"	3
	109-6465	Blade, High Lift Notched 72"	3
■	109-5879	Blade, Mulch 72"	3
	103-9631	Blade, Extreme 72"	3

Exmark red touch up paint (spray paint – P/N 1-850337 - .6 oz liquid bottle – P/N 103-9140).

- Requires installation of Micro-Mulch accessory for proper mulching. Mulch kit P/N MK605 (60"), MK665 (66"), and MK725 (72").
- Apply Mobil HTS grease (P/N 103-5217 1.5 oz packet) (or a food-grade antiseize) between the spindles and bearings. DO NOT use a copper or nickel based antiseize.

FRONT FRAME GROUP

Item	Part No.	Description	Qty.
1▲	109-2072	Asm, Front Frame (60")	1
▲	109-2073	Asm, Front Frame (66")	1
▲	109-2074	Asm, Front Frame (72")	1
2	302-19	Zerk, 1/4-28 Straight	5
3	109-1903	Asm, Floorpan (103-8274-01) W/Decals	1
4	1-543509	Bearing Cone, Tapered Roller.....	4
5	103-2084	Asm, Lever (103-2083-03)W/Grip	1
6	1-633295	Grip, Lift Lever	1
7	103-9529-03	Arm Wldmt, Deck Lift.....	1
8	1-633325	Spring, Compression	1
9	3256-24	Washer, 3/8 SAE Flat	1
10	3296-39	Nut, Nyloc 3/8-16	4
11	32151-103	E-Ring.....	5
12	1-633068	Arm, Deck Lift	2
13	1-633889-01	Plate, Deck Lift.....	1
14	109-1900	Wld, Deck Lift Plate	1
15	1-633082	Bushing, Lift Lever	1
16	109-3193	Stop, Deck Height.....	1
17	323-13	Screw, 3/8-16 x 2 3/4	1
18	1-633097	Hitch Pin W/Lanyard.....	1
19	1-806005	Hairpin Cotter.....	1
20	323-9	Screw, 3/8-16 x 1 3/4	2
21	98-5975	Washer, 3/8 Disc Spring	12
22	3290-357	Nut, Whizlock 3/8-16.....	15
23	323-6	Screw, 3/8-16 x 1	1
24	323-7	Screw, 3/8-16x1 1/4	12
25	3256-29	Washer, 7/8 SAE Flat	4
26	1-633096	Rod, Deck Lift	2
27	3217-11	Nut, 5/8-11 Regular.....	6
28	1-633441	Swivel, Deck Mount	4

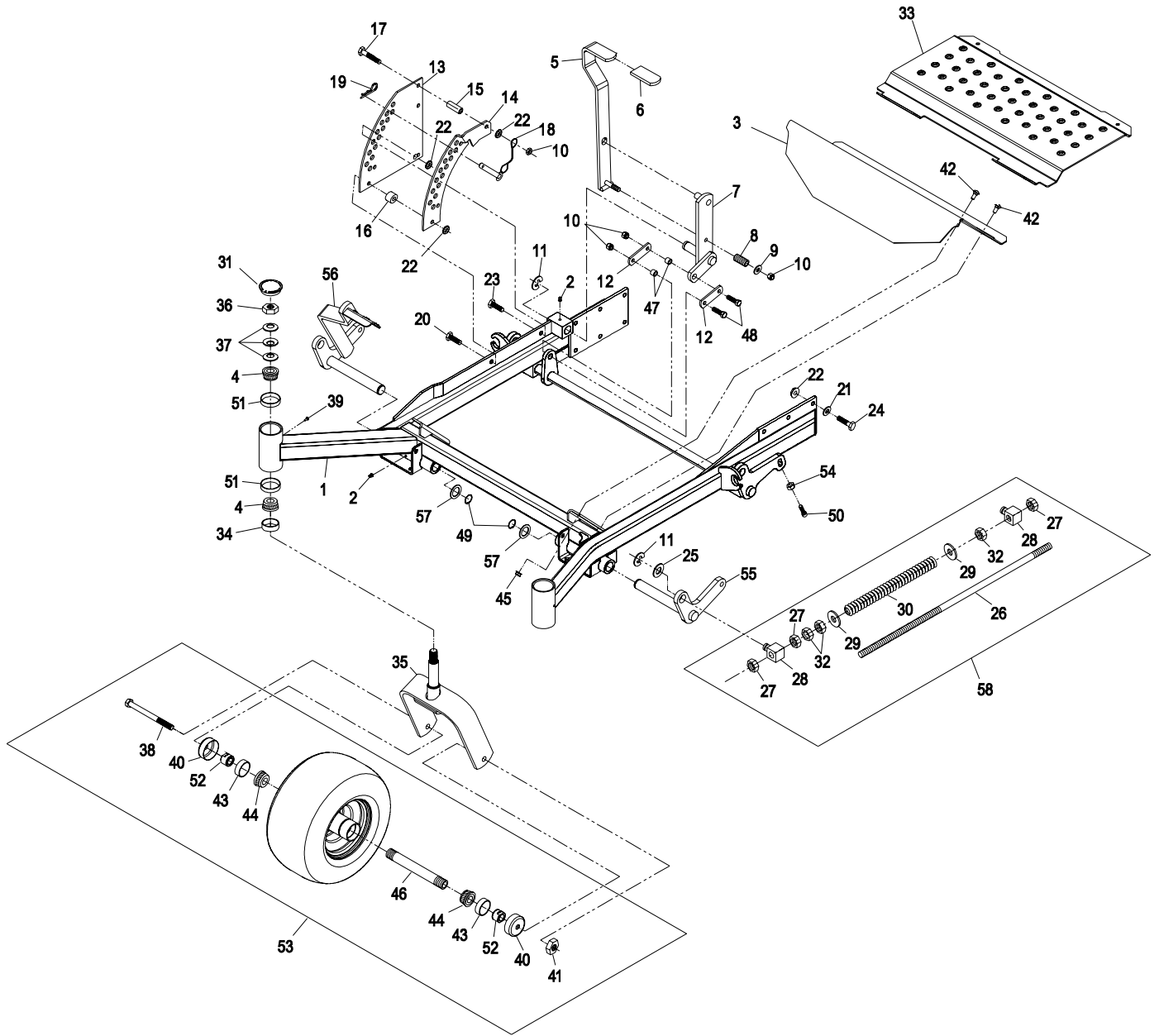
Item	Part No.	Description	Qty.
29	3256-7	Washer, 5/8 Std Flat.....	4
30	109-4963	Spring, Deck Support.....	2
31	103-4882	Cap, Grease	2
32	3218-6	Jam Nut, 5/8-11	6
33	109-1902	Asm, Floorpan, Liftout (103-8276-01) W/Decal.....	1
34	1-543511	Seal, Grease.....	2
35	103-1474-01	Caster Wldmt.....	2
36	3296-51	Nut, 3/4-10 Nyloc.....	2
37	1-633508	Washer, Spring Disc.....	6
38	325-39	Screw, 1/2-13 x 9 1/2.....	2
39	1-811010	Plug	2
40	103-2768	Guard, Seal	4
41	3296-23	Nut, 1/2-13 Nyloc.....	2
42	3230-1	Bolt, Carriage 5/16-18 x 3/4	4
43	103-0063	Seal, Bearing	4
44	1-633585	Bearing Cone.....	4
45	32128-20	Nut, Whizlock 5/16-18	4
46	103-5156	Axle, Caster	2
47	103-1918	Bushing	2
48	323-29	Screw, 3/8-16 x 1 3/8.....	2
49	32151-29	Ring, Retaining	2
50	3274-18	Screw, Socket HD5/16-18x1 1/4	2
51	1-543508	Bearing Cup, Tapered Roller	4
52+	103-3051	Spacer, Nut	4
53	109-9127	Asm, Caster Wheel (Semi-Pneumatic) ..	2
54	3218-2	Jam Nut, 5/16-18	2
55	103-9741-01	Weldmt, Front Lift Shaft (LH).....	1
56	103-9740-01	Weldmt, Front Lift W/Lever(RH)	1
57	1-523157	Washer, Spacer.....	2
58	109-4995	Asm, Front Frame Spring	2

Exmark red touch up paint (spray paint – P/N 1-850337 - .6 oz liquid bottle – P/N 103-9140).

✚ Use Pro-Lock, Nut Type (P/N 1-840022, .5ml tube) on spacer nut, Item #52.

▲ Includes frame weldment plus items #2, #31, #34, #39, #49, #51, #55, #56 and #57.

FRONT FRAME GROUP



MAIN FRAME GROUP

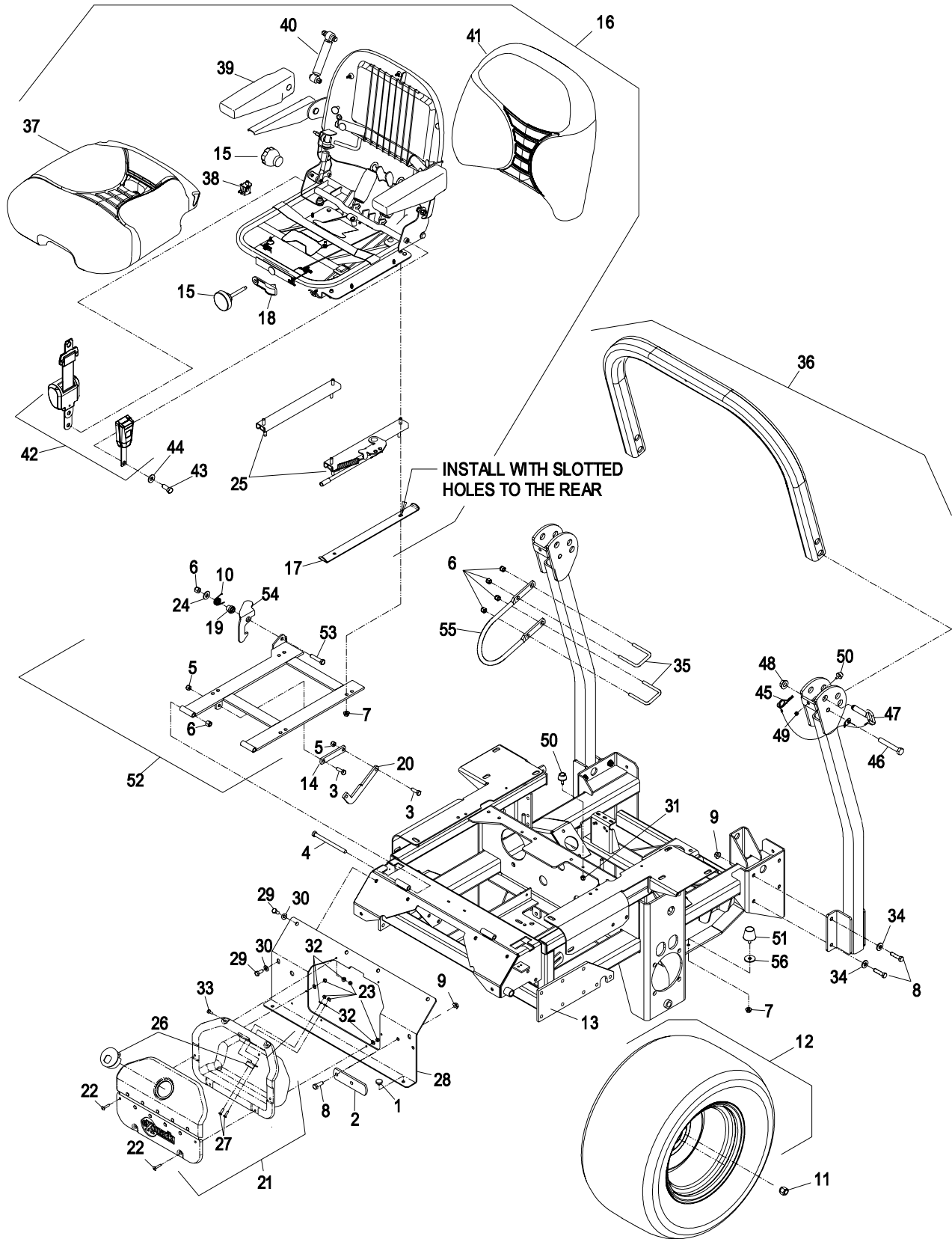
Item	Part No.	Description	Qty.
1	1-513658	Bumper	2
2	1-633964-03	Stop, Park Brake.....	1
3	322-5	Screw, HH 5/16-18 x 1	6
4	323-39	Screw, HH 3/8-16 x 5	2
5	3296-29	Nut, Nyloc 5/16-18	6
6	3296-39	Nut, Nyloc 3/8-16	7
7	32128-20	Nut, Whizlock 5/16-18.....	5
8	323-6	Screw, HH 3/8-16 x 1	10
9	3290-357	Nut, Whizlock 3/8-16.....	10
10	103-5519	Spring	1
11	242-50	Nut, Lug 1/2-20	8
12	109-3157	Asm, Wheel & Tire.....	2
	103-4963	Tire, 26x12-12 4 Ply	2
	109-3156	Wheel	2
13	109-3984	Asm, Engine Deck (116-0573-03) W/Decals	1
14	103-5161	Link, XP Seat Stop.....	2
15	107-1881	Kit, Knob	1
16▲	116-1080	Seat, Suspension.....	1
	109-3343	Kit, Spring and Saddle	1
	109-3344	Kit, Back Panel	1
	109-3345	Kit, Weight Adjust	1
17	1-653282-03	Stop, Seat.....	2
18	107-1885	Kit, Weight Indicator.....	1
19	107-0075	Bushing.....	1
20	109-2759	Link, XP Lower Seat Stop	2
21	103-3666	Asm, Cubby	1
22	32122-28	Screw, Truss HD #10-24 x 1	4
23	3296-2	Nut, Nyloc #10-24	8
24	3256-4	Washer, 3/8 Std.....	1
25	107-1880	Kit, Seat Track	1

Item	Part No.	Description	Qty.
26	103-3790	Latch, Cubby Door.....	1
27	3290-500	Screw, PPH #10-24 x 5/8.....	2
28	109-2075	Asm, Console(103-8273-03) W/Decals..	1
29	322-3	Screw, HH 5/16-18 x 3/4.....	6
30	3256-23	Washer, 5/16 SAE	6
31	3296-42	Nut, Nyloc 1/4-20.....	2
32	3256-14	Washer, #10 Std.....	8
33	1-803075	Screw, Truss Head #10-24 x 3/4.....	2
34	98-5975	Washer, Spring Disc 3/8.....	8
35	109-2394	U-bolt.....	2
36◆	109-0060	Kit, XP ROPS	1
37	107-1883	Kit, Bottom Cushion.....	1
38	82-2190	Kit, Switch.....	1
39	107-1887	Kit, Armrest.....	1
40	107-1884	Kit, Shock Absorber.....	1
41	107-1882	Kit, Back Cushion	1
42	110-0883	Kit, Seat Belt.....	1
43	3212-4	Screw, HH 7/16-20 x 1.0.....	2
44	1-603610	Washer, Spring Disc 7/16	2
45	107-3155	Cotter, Hair Pin Double Loop	2
46	325-13	Screw, HH 1/2-13 x 3 1/4.....	2
47■	103-4553	Asm, Rops Fold Pin.....	2
48	32128-23	Nut, Hex Flange Side Lock 1/2-13	2
49	3296-73	Nut, Nyloc 1/4-20.....	2
50	109-2365	Bumper.....	4
51	1-543963	Bumper, Rubber	1
52	109-9228	Kit, Seat Frame	1
53	323-9	Screw, HH 3/8-16 x 2.....	1
54	103-5520	Latch, Seat	1
55	103-7599-03	Guard	1
56	63-8410	Washer.....	1

Exmark black touch up spray paint – Gloss black

- Includes ROPS fold pin plus hairpin, item #45.
- ◆ Rollover protection frame is serviced as a complete assembly only. Includes complete ROPS frame, mounting hardware, fold pivot and locking hardware, seat frame assembly item #52, and seat belt assembly item #42. Items #51, #55, & #56 are not included.
- ▲ Includes seat assembly plus tracks item #25, seat stops item #17, and seat wiring harness (item #5 pg. 25). Does not include seat belt assembly item #42.

MAIN FRAME GROUP



FUEL GROUP

Item	Part No.	Description	Qty.
1	92-2379	Clamp, Fuel Line.....	14
2	3296-2	Nut, Nyloc #10-24	3
3	321-3	Screw, HH 1/4-20 x 5/8	1
4◆	1-633023	Stud, Fuel Tank	6
5	1-633349	Spring, Compression	6
6	1-643312	Clip, Loom	1
7	1-643115	Tie, Cable 11.4	4
8	116-0973	Valve, Fuel Dual Flow	1
9	1-805005	Washer, Lock 5/16 Heavy	4
10	1-807513	Bolt, Carriage #10-24 x 1/2	2
11	1-807533	Bolt, Carriage #10-24 x 5/8	1
12	103-6564	Kit, Fuel Gauge.....	1
13	112-7836	Filter, Fuel.....	1
14	103-1193	Clip, Loom Half	1
15	103-2595	Connector, Fuel 1/4 X 5/16	1
16★	116-0968	Fitting, Fuel Bulkhead	4
	103-2784	O-Ring	1
17	109-0299	Hose, Fuel Line 18".....	2
18*	116-0141	Asm, Fuel Tank (LH).....	1
19	32128-33	Nut, Whizlock 1/4-20.....	2
20	32128-20	Nut, Whizlock 5/16-18.....	1
21▼	109-2661	Screw, PPH #10-24 x 1/2	4
22*	116-0142	Asm, Fuel Tank (RH)	1
23	110-8806	Pump, Fuel	1
24	110-4100	Hose, Fuel Line 43.5".....	2

Item	Part No.	Description	Qty.
25	108-5928	Swivel, Cable Stop.....	1
26	109-0274	Hose, Fuel Line 16"	1
27	110-9662	Hose, Fuel Line 32"	1
28	3296-47	Nut, Nyloc 5/16-18 Thin	6
29	110-8817	Bracket, Pump Mount	1
30	109-0308	Hose, Fuel Line 24"	1
31	110-4114	Hose, Fuel Line 39"	1
32	114-5062	Cap, Fuel (Bio-Diesel)	2
33	1-303077	Clamp, Fuel Line	1
34	109-7875	Asm, Control Panel W/Decals	1
35	3256-23	Washer, 5/16 SAE	13
36	109-6652	Cable, Throttle	1
37	116-0290	Asm, Filter and Mount.....	1
38	3256-14	Washer, #10 Std.....	1
39	3220-1	Nut, Jam 1/4-28.....	2
40	110-6186	Hose, Fuel Line 30"	1
41	110-0047	Hose, Fuel Line 2 3/8"	1
42	110-4104	Hose, Fuel Line 11"	1
43	104-8300	Nut, Nyloc 5/16-18 Flg	2
44	322-3	Screw, HH 5/16-18 x 3/4	4
45	322-4	Screw, HH 5/16-18 x 7/8	3
46	353-707	Adapter, 90°	2
47	2412-108	Clamp, Hose.....	5
48	116-0289	Element, Fuel Filter	1
49	321-8	Screw, HH 1/4-20 x 1 1/4.....	1

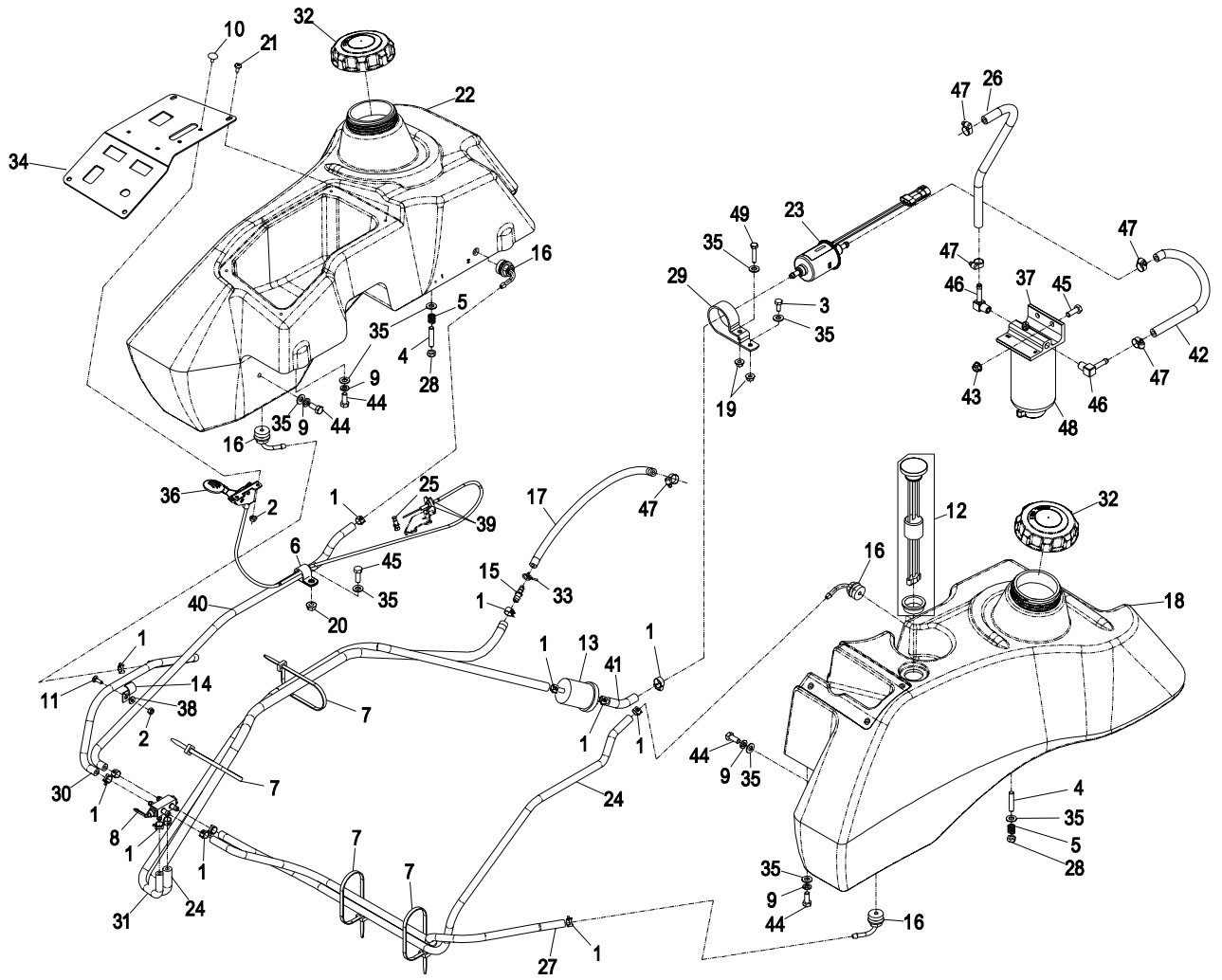
◆ Use Pro-Lock, Retaining type (Part No. 1-840023), .5cc tube on stud threads going into the tank.

▼ Snug fit only on slotted holes, **Do Not Overtighten**, tank must be able to expand.

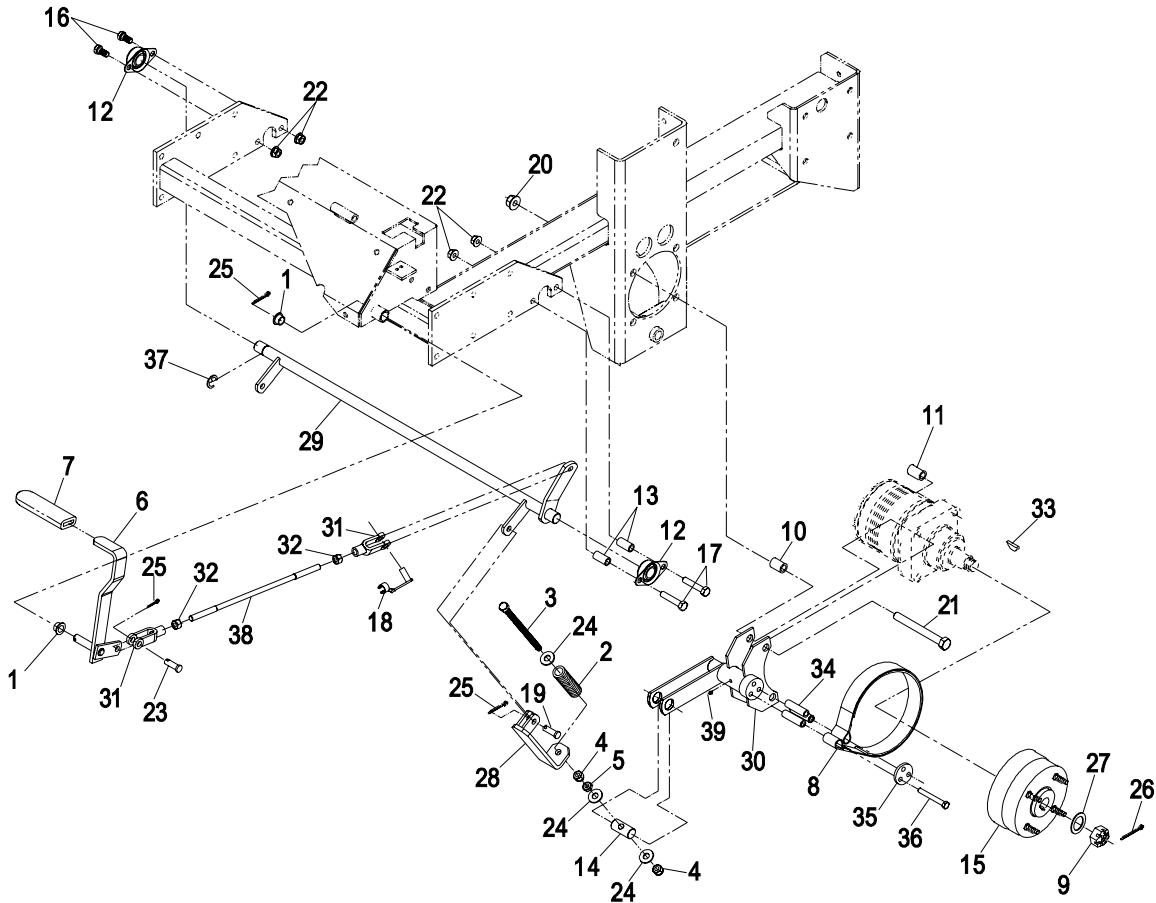
★ Use Prolock, Nut type (Part No. 1-840022), .5ml tube on fuel fitting.

* Includes tank, cap, fittings, and studs. LH tank also includes fuel gauge.

FUEL GROUP



PARK BRAKE GROUP



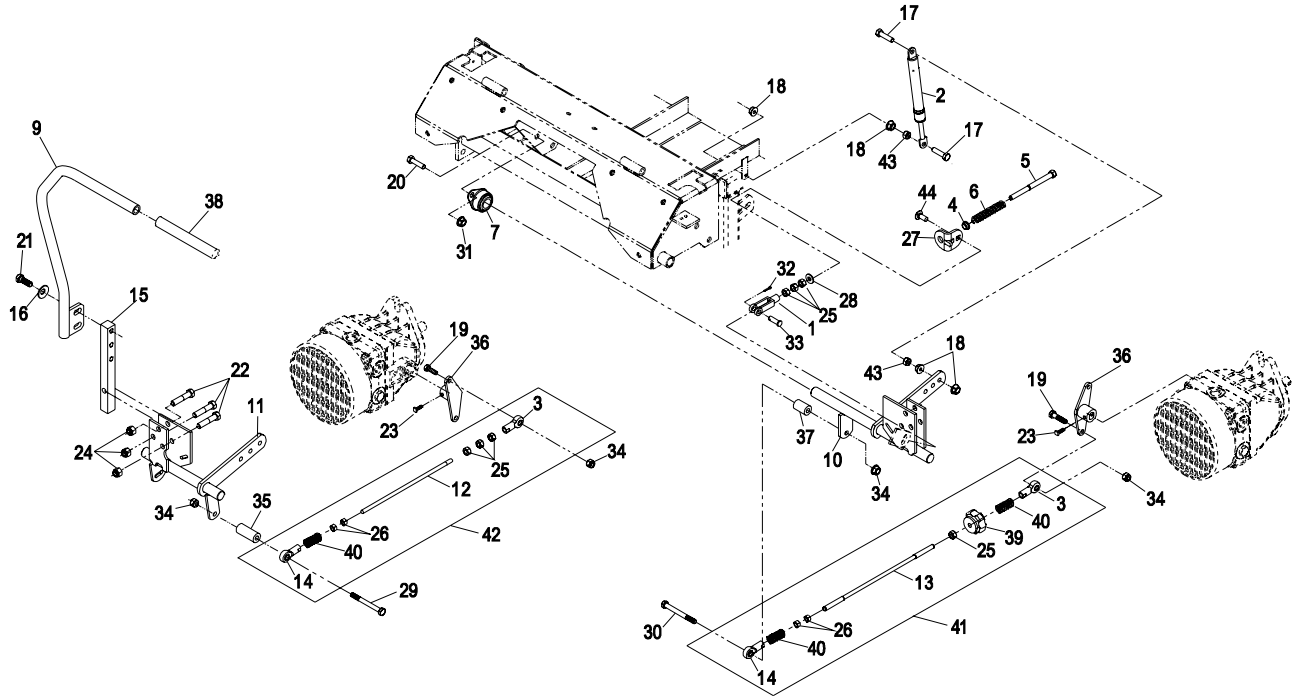
Item	Part No.	Description	Qty.
1	1-513140	Bushing.....	2
2	109-2230	Spring, Brake Rod.....	2
3	323-58	Bolt, HH 3/8-16 x 6 Tap.....	2
4	3296-39	Nut, Nyloc 3/8-16.....	4
5	3218-3	Nut, Jam 3/8-16.....	2
6	103-0197	Asm, Lever (103-0201-03) W/Grip.....	1
7	1-633268	Grip, Brake Lever.....	1
8	103-9761	Band, Brake.....	2
9	1-809036	Nut, Slotted 1-20.....	2
10	1-633380	Spacer (Short)(60").....	4
	109-5011	Spacer (Short)(66" & 72").....	4
11	1-633382	Spacer (Long)(60").....	4
	109-5012	Spacer (Long)(66" & 72").....	4
12	1-633102	Bearing, Flange.....	2
13	103-0051	Spacer, Brake Retainer.....	2
14	1-633144	Pin, Trunion.....	2
15	103-0590	Asm, Wheel Hub W/Studs & Drum.....	2
◆	1-633926	Studs, Wheel.....	8
16	323-4	Screw, HH 3/8-16 x 3/4.....	2
17	323-10	Screw, HH 3/8-16 x 2.....	2
18	103-2399	Pin, Clevis Spring 3/8.....	1
19	1-808284	Pin, Clevis 3/8 x 1.....	2

Item	Part No.	Description	Qty.
20	32128-49	Nut, Whizlock 1/2-13.....	8
21	325-17	Screw, HH 1/2-13 x 4 (60").....	8
	325-22	Screw, HH 1/2-13 x 5 1/2 (66" & 72").....	8
22	3290-357	Nut, Whizlock 3/8-16.....	4
23	1-808285	Pin, Clevis 3/8 x 1 1/8.....	1
24	3256-4	Washer, 3/8 Std.....	6
25	3272-10	Pin, Cotter 1/8 x 3/4.....	4
26	1-806800	Pin, Cotter 9/64 x 1 1/2.....	2
27	1-523157	Washer, Spacer.....	2
28	103-1117-03	Lower Brake Linkage.....	2
29	103-5243-03	Brake Shaft.....	1
30	103-0844-03	Bracket, Brake (60").....	2
	103-0810-03	Bracket, Brake (66" & 72").....	2
31	1-633131	Yoke.....	2
32	3219-3	Nut, Hex 3/8-24.....	2
33	3257-42	Key, Woodruff 5/16 x 1.....	2
34	103-0384	Spacer.....	6
35	103-0374	Retainer, Brake Band.....	2
36	322-9	Screw, HH .312-18 x 1.75.....	6
37	32151-48	E-Ring.....	1
38	103-1708	Rod, Brake.....	1
39	1481	Zerk, 45° 1/4-28.....	2

Exmark black touch up spray paint – Gloss black

◆ Not Illustrated.

MOTION CONTROL GROUP



Item	Part No.	Description	Qty.
1	1-303105	Yoke	2
2	109-2339	Damper.....	2
3	1-543017	Balljoint (RH).....	2
4	109-3769	Bushing, Nylon.....	2
5	1-603737	Bolt, Neutral Return	2
6	1-603807	Spring	2
7	1-633102	Bearing, Flanged.....	4
8*	103-3457	Asm, Lever W/Grip (LH).....	1
9	103-3458	Asm, Lever W/Grip (RH)	1
10	109-3983	Wld, Motion Control Bracket (LH).....	1
11	109-3980	Wld, Motion Control Bracket (RH).....	1
12	103-5182	Link, Hydro Connecting (RH)	1
13	103-3065	Link, Hydro Connecting (LH)	1
14	1-633152	Balljoint (LH)	2
15	103-0407	Arm, Control Shaft	2
16	98-5975	Washer, Spring Disc 3/8	4
17	1-403180	Screw, HH 5/16-18 x 1 1/4 Sp.....	4
18	32128-20	Nut, Whizlock 5/16-18.....	10
19	322-6	Screw, HH 5/16-18 x 1 1/4	2
20	323-4	Screw, HH 3/8-16 x 3/4	8
21	323-6	Screw, HH 3/8-16 x 1	4
22	323-9	Screw, HH 3/8-16 x 1 3/4	6

Item	Part No.	Description	Qty.
23♦	1-803022	Setscrew, 5/16-18 x 5/8	2
24	3296-39	Nut, Nyloc 3/8-16.....	6
25	3219-2	Nut, Hex 5/16-24.....	10
26	1-804524	Nut, Hex 5/16-24 (LH).....	4
27	109-3908	Tab, Adjustment	2
28	3256-2	Washer, 1/4 Std.....	2
29	322-14	Screw, HH 5/16-18 x 3.....	1
30	322-12	Screw, HH 5/16-18 x 2 1/2.....	1
31	3290-357	Nut, Whizlock 3/8-16	8
32	3272-5	Pin, Cotter 3/32 x 1/2	2
33	1-808280	Pin, Clevis 5/16 x 1	2
34	3296-29	Nut, Nyloc 5/16-18	4
35	103-5192	Spacer, Hyd Control (RH)	1
36	103-0194-03	Wld, Pump Control Arm	2
37	103-1361	Spacer, Hyd Control (LH).....	1
38	103-3456	Grip, Motion Control Handle.....	2
39	103-3060	Knob, Tracking	1
40	1-323245	Spring, Compression	3
41	103-3062	Asm, Tracking Rod Linkage (LH).....	1
42	103-5190	Asm, Tracking Rod Linkage (RH)	1
43	3217-6	Nut, Hex 5/16-18.....	4
44	3230-23	Bolt, Carriage 5/16-18 x 3/4, short neck 2	

Exmark black touch up spray paint – Gloss black.

* Not illustrated.

♦ Use Pro-Lock, Nut Type (P/N 1-840022, .5ml tube) on setscrews.

ENGINE GROUP

Item	Part No.	Description	Qty.
1	1-303334	Washer, Spring Disc 5/16	5
2	109-1245	Washer	1
3	1-603610	Washer, Spring Disc 7/16	2
4	1-805005	Washer, Lock 5/16 Heavy	5
5	1-807014	Key, Woodruff 1/4 x 7/8	1
6	1-543610	Washer	1
7	42-9600	Washer, Lock M10	12
8	63-7790	Screw, HH M10-1.25 x 1.25mm	12
9	83-1040	Washer	2
10	86-1990	Washer	1
11	93-6099	Washer	4
12	98-5975	Washer, Spring Disc 3/8	1
13	100-2436	Asm, Hood Air Intake W/Clamp	1
14	103-0608	Balljoint	2
15	103-1022	Isolator, Rear	2
16	103-1058	Bracket, Air Filter	1
17	103-1060	Cover, Air Filter W/Latch	1
18	103-1326	Filter, Safety Air	1
19	103-1327	Filter, Air	1
20	103-2613	Isolator, Side	2
21	103-3567	Link, Rear A-T Axial	1
22	103-3568	Isolator, A-T	2
23	103-3745	Asm, RR A-T	1
24	103-4718	Sheave	1
25	103-5178	Asm, Canister Air Filter W/Hood	1
26	33114-090	Screw, HH M8-1.25 x 90mm	1
27	103-7530-03	Wld, Engine Mount (LH)	1
28	103-7531-03	Wld, Engine Mount (RH)	1
29	103-7541-03	Bracket, Engine Mount	1
30	109-7678-03	Anchor, Clutch	1
31	109-8528	Asm, A-T Link	1
32	103-7544	Link, Rear A-T Axial	1
33	109-9873	Shaft, Kubota 902 Stub	1
34	103-7556	Hub, Pump Drive	1
35	103-7567-03	Wld, Flywheel Cover	1

Item	Part No.	Description	Qty.
36	103-7597	Hose, Air Intake	1
37●	109-2855	Kit, Muffler	1
38	33114-080	Screw, HH M8-1.25 x 80mm	3
39	104-3082	Nut, Nyloc M8-1.25 Flg	1
40	108-5922	Bracket, Throttle Support	1
41	109-0787-03	Bracket, Muffler Mounting	1
42	109-0789	Fan	1
43	109-1211	Solenoid, Fuel	1
44	109-2783	Gasket, Exhaust	1
45	99-3174	Latch, Air Cleaner	2
46	109-2820	Ejector, Air Cleaner	1
47	109-2901	Belt	1
48	109-7668	Clutch	1
49	322-3	Screw, HH 5/16-18 x 3/4	8
50	322-5	Screw, HH 5/16-18 x 1	2
51	323-11	Screw, HH 3/8-16 x 2 1/4	2
52	323-8	Screw, HH 3/8-16 x 1 1/2	1
53	323-7	Screw, HH 3/8-16 x 1 3/4	1
54	325-11	Screw, HH 1/2-13 x 2 3/4	1
55	2412-42	Clamp, Hose	3
56◆	3212-8	Screw, HH 7/16-20 x 2	1
57	3220-3	Nut, Jam 3/8-24	2
58	3253-4	Washer, Lock 5/16	4
59	3256-2	Washer, 1/4 Std	2
60	3256-23	Washer, 5/16 SAE	5
61	3256-24	Washer, 3/8 SAE	4
62	3256-4	Washer, 3/8 Std	2
63	3296-23	Nut, Nyloc 1/2-13	1
64	3296-39	Nut, Nyloc 3/8-16	4
65	3296-6	Nut, Nyloc 3/8-24	2
66	32128-20	Nut, Whizlock 5/16-18	10
67	33014-00	Nut, Hex M8-1.25	4
68	33113-012	Screw, HH M6-1 x 12mm	2
69	33113-020	Screw, HH M6-1 x 12mm	2
70◆	33114-020	Screw, HH M8-1.25 x 20mm	10

Exmark black touch up spray paint – gloss black.

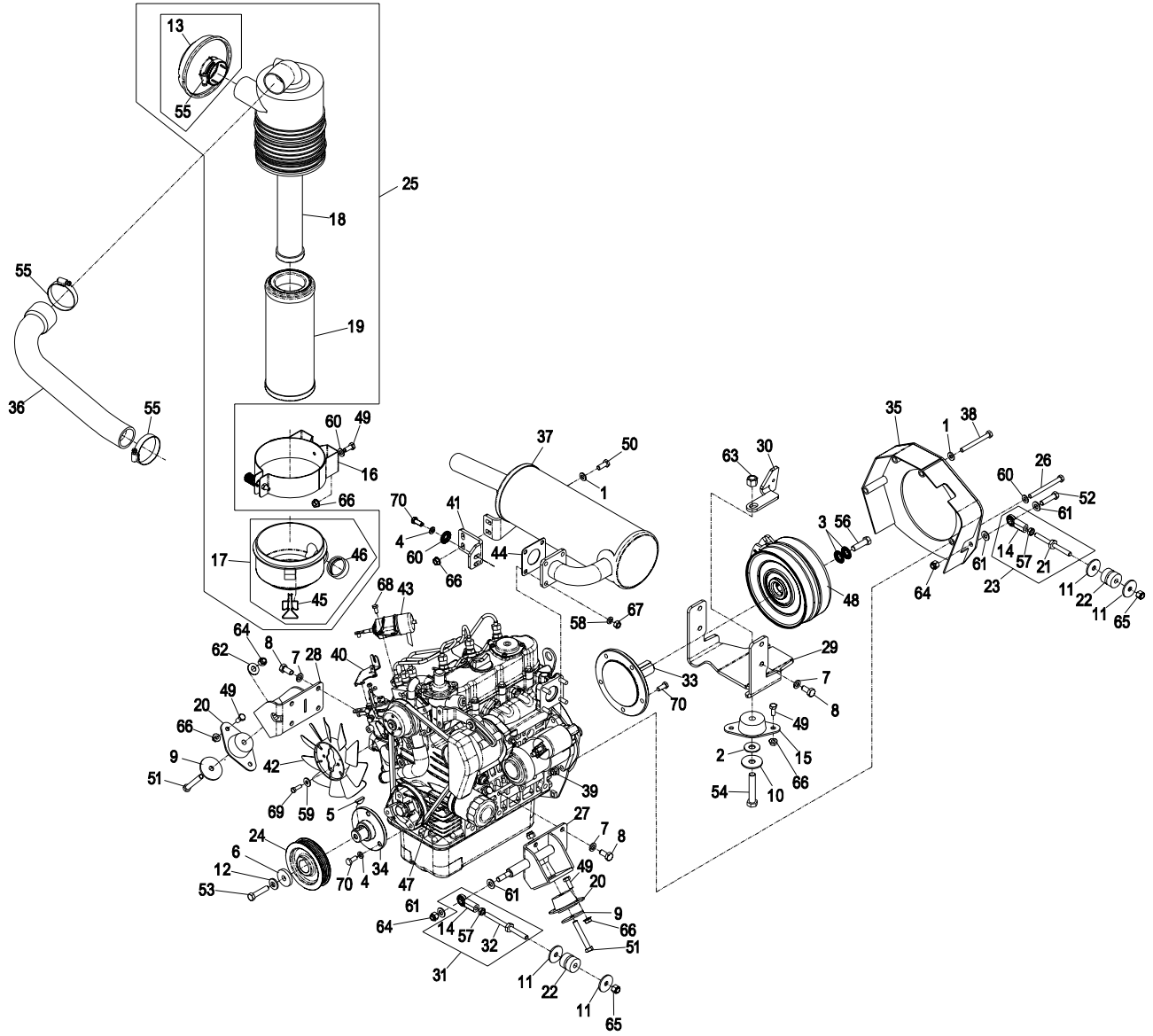
- ◆ Use Pro-Lock, Nut Type (P/N 1-840022, .5ml tube) on (5) screws, item #70 securing shaft, item #33 to engine, and muffler bracket, item #41 to engine.
- Includes item #44.

Kubota Replacement Parts List

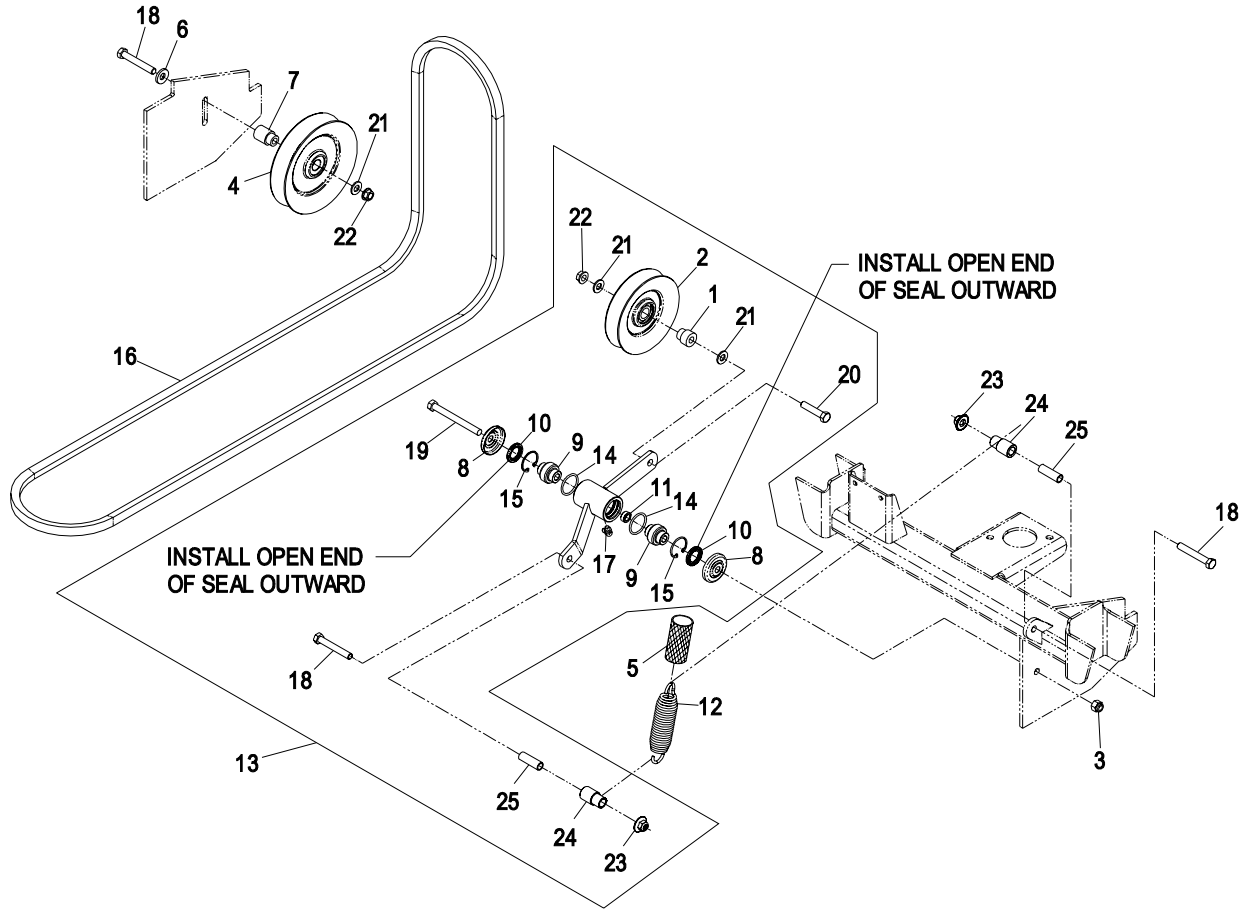
(Refer to Engine Owner's Manual)

<u>Description</u>	<u>Kubota Part No.</u>
Engine Oil Filter	15853-3243

ENGINE GROUP



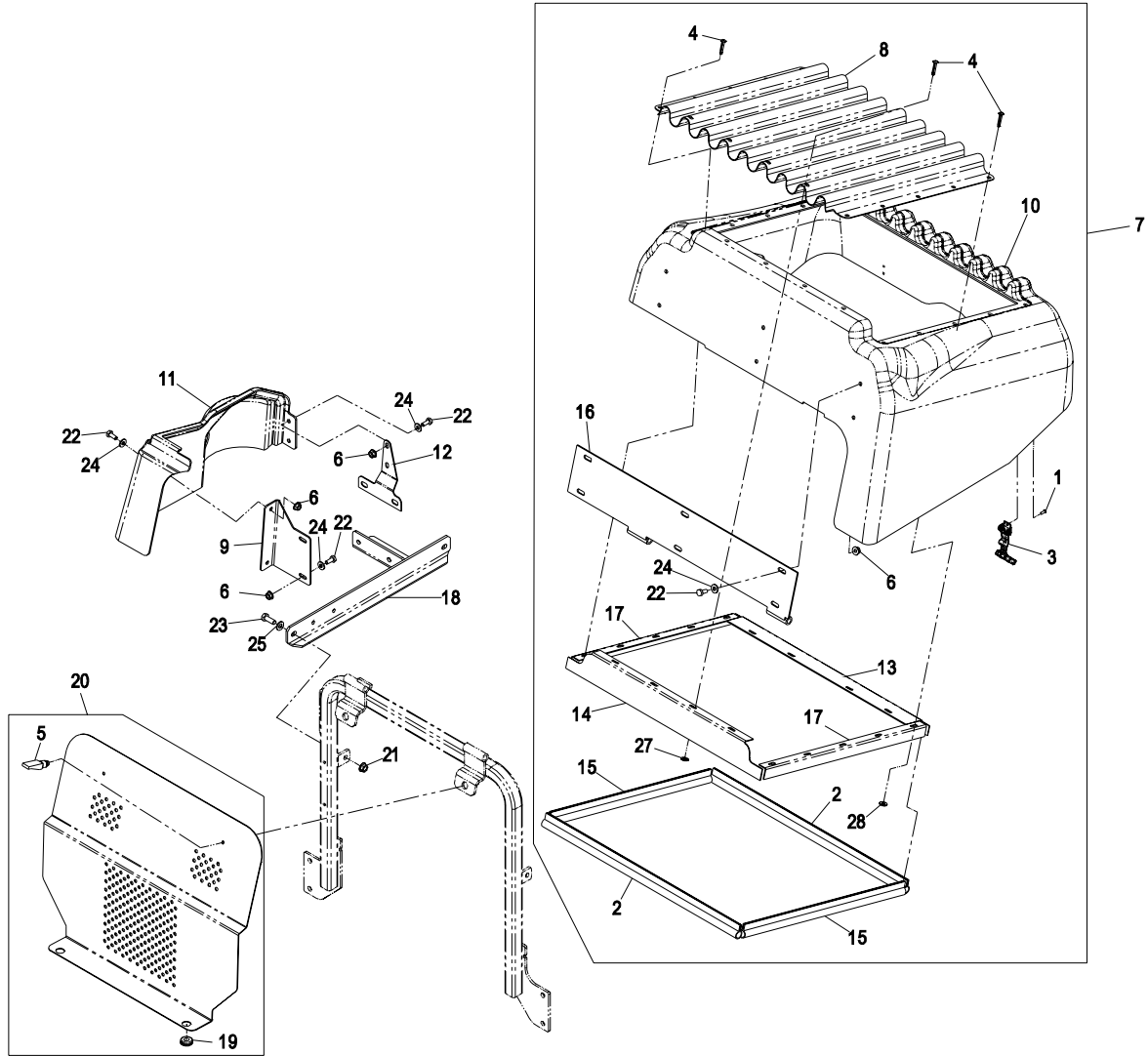
ENGINE DECK GROUP



Item	Part No.	Description	Qty.
1	1-603496	Bushing, Idler.....	1
2	1-603805	Pulley, Idler.....	1
3	3296-39	Nut, Nyloc 3/8-16.....	1
4	1-633166	Pulley, Idler.....	1
5	116-0932	Dampener, Spring.....	1
6	98-5975	Washer, Spring Disc 3/8.....	1
7	103-2627	Bushing, Idler.....	1
8	103-2916	Guard, Top.....	2
9	103-3504	Bearing, Spherical.....	2
10	103-3506	Seal, Single Lip.....	2
11	103-5677	Spacer.....	1
12	116-0608	Spring.....	1
13	103-9250	Kit, Idler Arm (109-3194-03) W/Brgs.....	1

Item	Part No.	Description	Qty.
14	106-7159	O-Ring.....	2
15	32120-10	Ring, Retaining.....	2
16	109-4199	Belt, Mule Drive.....	1
17	302-40	Zerk, 90° 1/4-28.....	1
18	323-12	Screw, HH 3/8-16 x 2 1/2.....	3
19	323-42	Screw, HH 3/8-16 x 3 3/4.....	1
20	323-9	Screw, HH 3/8-16 x 1 3/4.....	1
21	3256-24	Washer, 3/8 SAE.....	3
22	3290-357	Nut, Whizlock 3/8-16.....	2
23	104-8301	Nut, Nyloc 3/8-16 Flg.....	2
24	109-8866	Bushing, Plastic.....	2
25	109-8754	Spacer.....	2

HOOD AND PANEL GROUP



Item	Part No.	Description	Qty.
1	923786	Rivet	4
2	1-643187	Seal, Trim 20"	2
3	1-643188	Latch, Rubber	2
4	1-803072	Rivet	18
5	74-5950	Latch.....	2
6	32128-33	Nut, Whizlock 1/4-20.....	12
7◆	103-9200	Asm, Hood.....	1
8	103-9201-03	Screen, Radiator.....	1
9	103-9206-03	Bracket, Front Cover.....	1
10	103-9220	Cover, Radiator.....	1
11	103-9221	Panel, Side	1
12	103-9222-03	Bracket, Rear Cover	1
13	103-9223-03	Mount, Seal Rear.....	1
14	103-9224-03	Mount, Seal Front	1

Item	Part No.	Description	Qty.
15	103-9225	Seal, Trim 17.1"	2
16	103-9226-03	Wld, Hinge.....	1
17	103-9228-03	Mount, Seal Side	2
18	109-3257	Asm, Air Cleaner Brkt W/Decals.....	1
19	109-0023	Grommet	2
20	116-0136	Asm, Air Deflector W/Decal	1
21	32128-33	Nut, Whizlock 1/4-20	12
22	321-3	Screw, HH 1/4-20 x 5/8.....	12
23	322-4	Screw, HH 5/16-18 x 7/8.....	2
24	3256-22	Washer, 1/4 SAE.....	12
25	3256-23	Washer, 5/16 SAE.....	2
26	32128-20	Nut, Whizlock 5/16-18	2
27	1-303435	Washer, Spring Disc.....	4
28	3256-14	Washer.....	14

Exmark black touch up spray paint – gloss black.

◆ Hood assembly comes with back logo decal, side decals need to be ordered separately.

COOLING GROUP

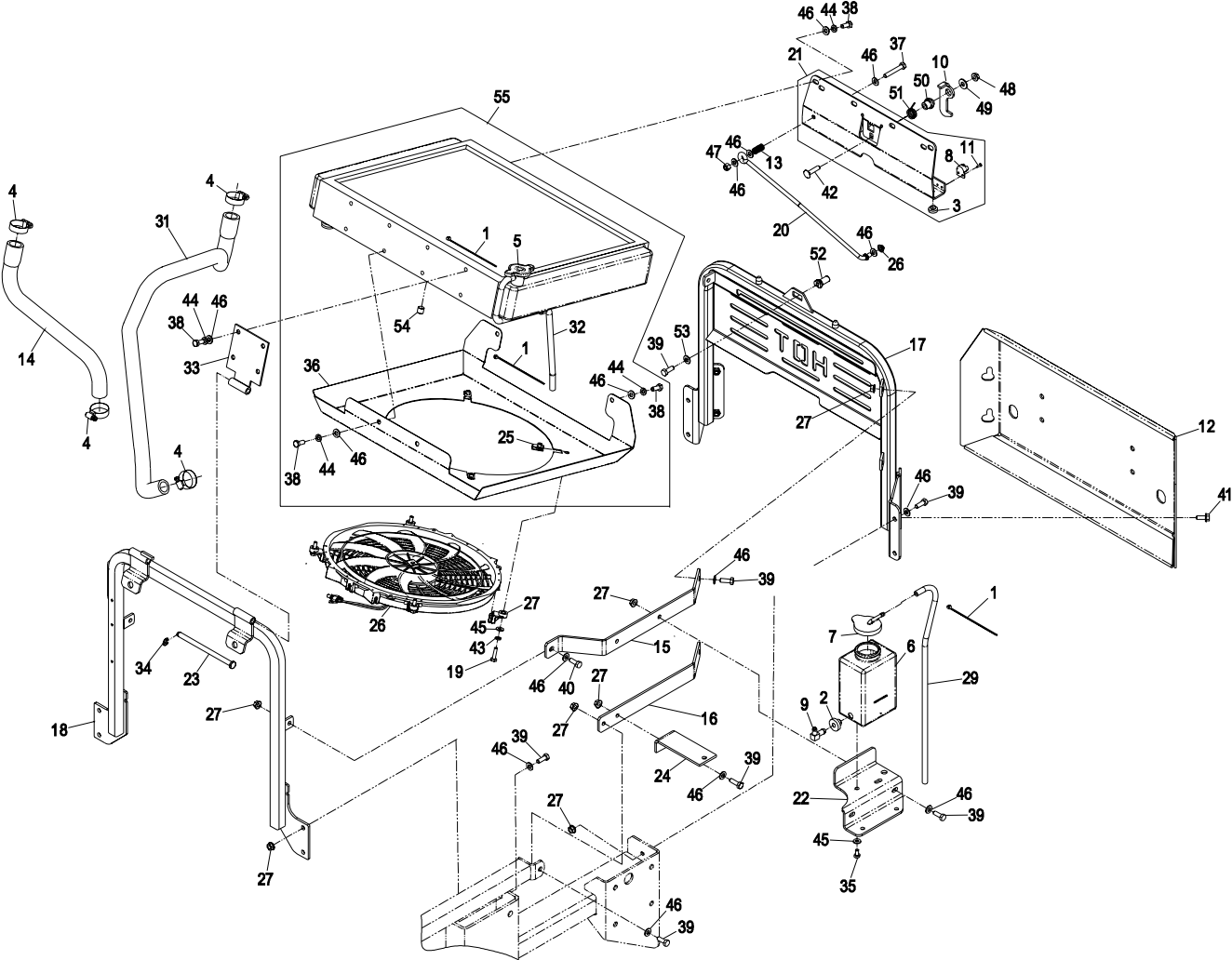
Item	Part No.	Description	Qty.
1	1-303287	Tie, Cable 5 1/2 (Small)	3
2	1-513645	Bushing.....	1
3	1-513658	Bumper.....	2
4	1-633989	Clamp	4
5	1-643161	Cap, Radiator.....	1
6	1-643163	Tank, Overflow.....	1
7	1-643164	Cap, Overflow Tank	1
8	1-643189	Keeper, Rubber Latch	2
9	1-643259	Fitting, Elbow	1
10	109-8431	Hook, Latch.....	1
11	923786	Rivet	4
12	103-1479-03	Wld, Rear Bumper	1
13	103-6643	Spring	1
14	103-7532	Hose, Radiator.....	1
15	103-7558-03	Rib, Top	1
16	103-7579-03	Rib, Bottom	1
17	109-8546-03	Wld, Rear Radiator Mount.....	1
18	109-2804	Asm, Front Radiator Mount W/Decal.....	1
19	321-6	Screw, HH 1/4-20 x 1	4
20	103-9207	Rod, Prop.....	1
21	109-8539	Asm, Latch Plate W/Decals	1
22	103-9214-03	Bracket	1
23	103-9218	Pin, Cover Pivot.....	2
24	109-0089-03	Bracket, Hydraulic Tank.....	1
25	107069	Nut, Retainer Panel.....	4
26	109-9195	Fan, 14" Electric.....	1
27	32128-20	Nut, Whizlock 5/16-18.....	15
28	109-8541	Kit, Fan 16"	1

Item	Part No.	Description	Qty.
29	109-2669	Hose	1
30	109-2950	Mount, Fan	4
31	109-3142	Hose, Radiator.....	1
32	109-3143	Hose, Overflow	1
33	109-3179-03	Wld, Hinge Plate.....	2
34	32120-18	E-Ring	2
35	321-2	Screw, HH 1/4-20 x 1/2.....	2
36	109-8732-03	Shroud, Fan.....	1
37	322-10	Screw, HH 5/16-18 x 2.....	1
38	322-3	Screw, HH 5/16-18 x 3/4.....	12
39	322-4	Screw, HH 5/16-18 x 7/8.....	15
40	322-5	Screw, HH 5/16-18 x 1.....	1
41	3234-47	Screw, HH FLG 5/16-18 x 3/4.....	4
42	112-6950	Bolt, Carriage 5/16-18 x 1 3/8, short neck..	2
43	3253-3	Washer, Lock 1/4	4
44	3253-4	Washer, Lock 5/16.....	12
45	3256-22	Washer, 1/4 SAE	6
46	3256-23	Washer, 5/16 SAE	31
47	3296-29	Nut, Nyloc 5/16-18.....	1
48	32128-25	Nut, Hex 5/16-18 Side Lock	1
49	3256-3	Washer, 5/16 Std.....	1
50	107-0075	Spacer	1
51	109-8430	Spring.....	1
52	109-8432	Pin, Latch	1
53	1-303334	Washer, Spring Disc 5/16.....	1
54	99-8551	Plug, Pipe	1
55◆	109-8733	Asm, Radiator.....	1

Exmark black touch up spray paint – gloss black.

◆ Radiator assembly does not include items, #1 or #32.

COOLING GROUP



HYDRAULIC GROUP

Item	Part No.	Description	Qty.
1	1-303335	Tie, Cable 7 15/16 (Large)	2
2	112-9771	Washer	2
3	1-603401	Spacer	1
4	9000784	Bolt, Carriage 3/8-16 x 5	1
5	32128-49	Nut, Whizlock 1/2-13.....	4
6▼	1-603990	Adapter, Straight.....	4
	1-603992	O-Ring, 37 Flare #8	1
	1-603920	O-Ring, SAE #8	1
7	1-603991	Adapter, Straight.....	4
	1-603992	O-Ring, 37 Flare #8	1
	1-603919	O-Ring, SAE #10	1
8	32128-20	Nut, Whizlock 5/16-18.....	2
9◆	30-1710	Setscrew, 5/16-18 x 1	4
10	1-805004	Washer, Lock 1/4 Heavy.....	2
11	3256-23	Washer, 5/16 SAE	3
12	98-5975	Washer, Spring Disc 3/8	3
13	103-1014	Elbow, 90°.....	2
	1-603920	O-Ring, SAE #8	1
14●	112-8357	Motor, Wheel Drive (RH).....	1
15	109-8752	Spacer	1
16	103-1940	Adapter, Straight.....	2
	1-603992	O-Ring, 37 Flare #8	1
	1-603920	O-Ring, SAE #8	1
17	103-7615	Asm, Cap W/Gasket.....	1
18	103-1949	Gasket, Reservoir Cap.....	1
19	103-2146	Element, Hydraulic Oil Filter.....	1
20	103-2153	Elbow, 90°.....	2
	1-603992	O-Ring, 37 Flare #8	1
	1-603920	O-Ring, SAE #8	1
21▼	103-2156	Adapter, Straight.....	1
	103-1020	O-Ring, 37 Flare #6	1
	1-603921	O-Ring, SAE #6	1
22	103-2259	Filter Head	1
23	3231-5	Bolt, Carriage 3/8-16 x 1 3/4	1
24●	112-8358	Motor, Wheel Drive (LH)	1
25	1-807259	Key, Machine 1/4 x 1/4 x 1	2
26	103-2916	Guard, Top.....	1

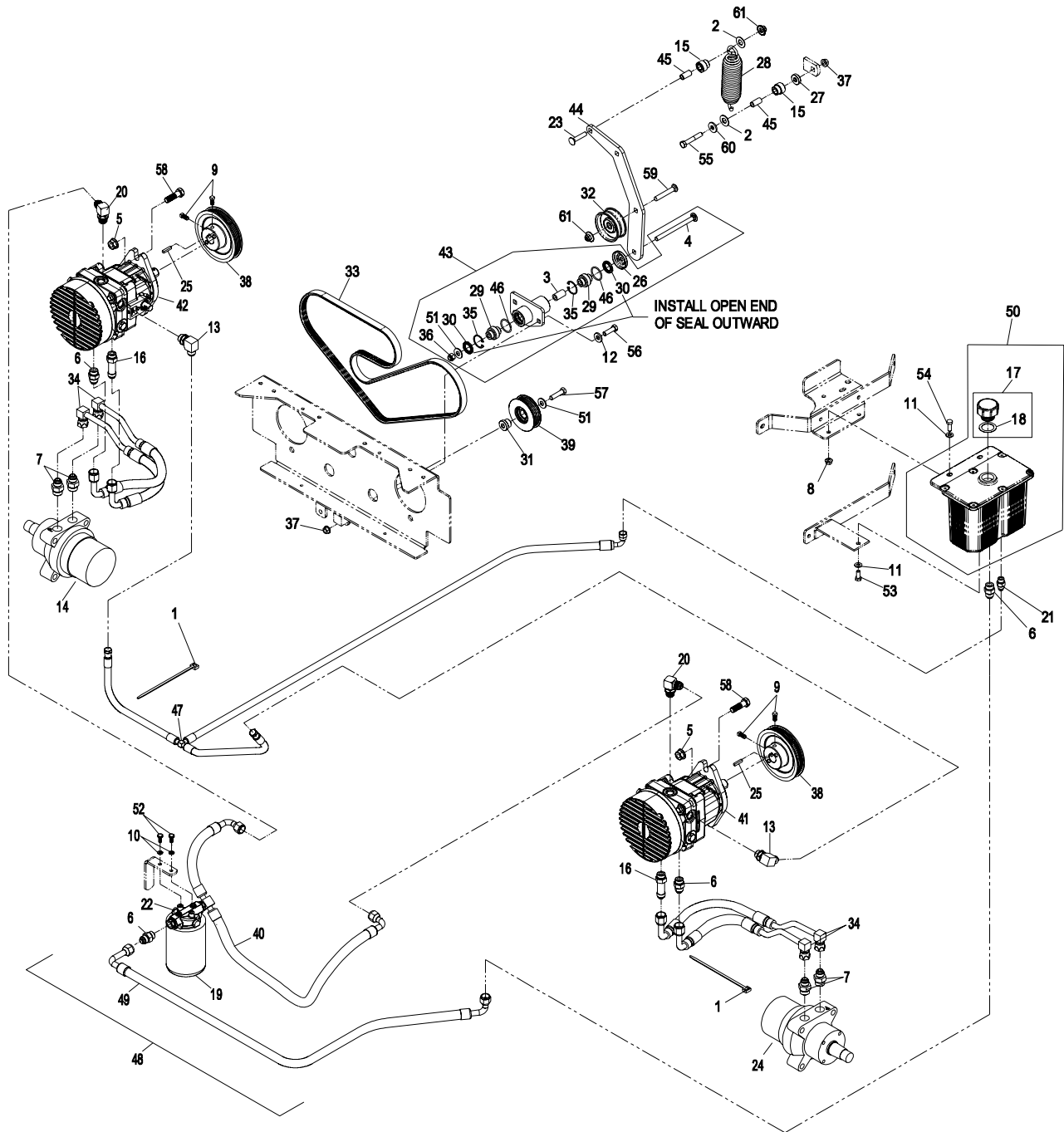
Item	Part No.	Description	Qty.
27	103-3186	Spacer	1
28	116-0133	Spring, Extension.....	1
29	103-3504	Bearing, Spherical	2
30	103-3506	Seal, Single Lip.....	2
31	103-4566	Spacer	1
32	103-4567	Pulley, Hydro Pump Idler	1
33	109-7582	Belt	1
34	103-4680	Hose, Wheel Motor (60")	4
	103-4679	Hose, Wheel Motor (66" & 72").....	4
35	32120-10	Ring, Retaining	2
36	3296-39	Nut, Nyloc 3/8-16.....	1
37	3290-357	Nut, Whizlock 3/8-16	4
38	109-7561	Sheave , Hydro Pump.....	2
39	103-4728	Asm, Lower Frame Idler	1
40	109-6903	Hose, Pump Inlet.....	1
41+	109-7543	Pump, Hydro (LH).....	1
42+	109-7544	Pump, Hydro (RH)	1
43	109-3250	Asm, Pump Idler W/Bearings	1
44	103-7569-03	Arm, Pump Idler	1
45	109-8753	Spacer	1
46	106-7159	O-Ring	2
47	109-0087	Asm, Case Drain Hose	1
48*	109-6905	Asm, Charge Hose	1
49	109-6904	Asm, Filter Inlet Hose	1
50	109-0582	Asm Hydraulic Reservoir W/Decals	1
51	3256-4	Washer, 3/8 Std.....	2
52	321-3	Screw, HH 1/4-20 x 5/8.....	2
53	322-3	Screw, HH 5/16-18 x 3/4.....	1
54	322-4	Screw, HH 5/16-18 x 7/8.....	2
55	323-11	Screw, HH 3/8-16 x 2 1/4.....	1
56	323-7	Screw, HH 3/8-16 x 1 1/4.....	3
57	323-8	Screw, HH 3/8-16 x 1 1/2.....	1
58	325-5	Screw, HH 1/2-13 x 1 1/4.....	4
59	3231-31	Bolt, Carriage 3/8-16 x 2 1/2	1
60	5-0838	Spacer	1
61	109-6658	Nut, Nyloc 3/8-16 Flg.....	2

Exmark black touch up spray paint – gloss black.

- ▼ Use Teflon pipe sealant on pipe threads in reservoir.
- ◆ Use Prolock, Nut Type (P/N 1-840022, .5ml tube) on setscrews.
- * Does not include items #10 & 52.
- Seal Kit: 109-5966

+ Hydro Pump Service Kits		
Part No.	Description	Qty.
109-8113	Kit, Seal Service 21L.....	1
109-8109	Kit, Input Shaft 21L	1
103-2670	Kit, Thrust Bearing 21L	1
94-1913	Kit, Cylinder Block 21L.....	1
100-6112	Kit, Valve Plate 21L.....	1
116-1739	Fan, PW Pump Cooling	1
116-0917	Guard, PW Pump Fan.....	1
109-8110	Kit, Input Bearing	1
106-2053	Kit, Shock Valve.....	1

HYDRAULIC GROUP



DECAL GROUP

Item	Part No.	Description	Qty.
1	109-3148	Decal, Bolt Torque	1
2	109-7949	Decal, Wheel Hub.....	2
3	98-5954	Decal, Missing Cover.....	3
4	1-513742	Decal, No Step.....	2
5	110-3842	Decal, Antifreeze.....	1
6	103-0261	Decal, Fuel Valve.....	1
7	109-2219	Decal, Belt Routing	1
8	109-0872	Decal, Baffle Adjustment.....	1
9	116-0404	Decal, Hyd Tank / Hot Surface.....	1
10	103-2076	Decal, Caution Hot Surface.....	1
11	1-513748	Decal, Guard.....	1
12	109-2478	Decal, 3850 RPM.....	1
13	110-0806	Decal, No Starting Fluid	1
14	107-2102	Decal, Folding ROPS.....	1
15	1-633706	Decal, Deck Height	1
16	109-2264	Decal, Warning	1
17	1-303508	Decal, Discharge Warning	1
18	116-0127	Decal, Belt Routing	1
19	109-2951	Decal, Relay	1

Item	Part No.	Description	Qty.
20	103-1798	Decal, Throttle	1
21	109-1399	Decal, Anti-Scalp	1
22	107-2112	Decal, Danger Slope.....	1
23	103-7474	Decal, Lazer XS Model	1
24	109-2263	Decal, Pump Fan Warning.....	1
25	116-0997	Decal, Check Service	1
26	109-1214	Decal, Park Brake.....	1
27	1-403005	Decal, Danger.....	2
28	109-1215	Decal, Cutting Height.....	1
29	117-2718	Decal, Spark Arrester	1
30	109-1803	Decal, Triton 60"	1
31	109-1804	Decal, Triton 66"	1
32	109-1805	Decal, Triton 72"	1
33	107-9866	Decal, Top Console	1
34	109-1801	Decal, Exmark Logo	1
35	109-6855	Decal, Ignition, Glow, PTO.....	1
36	109-2586	Decal, Hood RH.....	1
37	109-2585	Decal, Hood LH	1
	109-5609	Kit, Decal XS	1

DECAL GROUP

1. Lubricate Blade Bolt threads with copper based anti-seize or grease and torque to 55-60 lbf-ft (7.4-8.1 Nm)

2. Torque Wheel Lug Nuts to 80-95 lbf-ft (107-129 N-m). Check after first 100 hrs. then every 100 hrs thereafter.

3. **⚠ DANGER**
COVER IS MISSING. DO NOT OPERATE WITH UNIT WHEN COVER IS NOT IN PLACE.

4. **NO STEP**

5. **⚠ CAUTION**
A solution of 50% antifreeze and 50% water must be used in this engine. (Freezing point about -4°F). Do not use 100% antifreeze, or severe damage will occur.

6. OFF, LH, RH

7. **BELT ROUTING**
BELT: 1-633127 • 60" 1-943775 • 66" 1-643052 • 72"

8. **BATLE ADJUSTMENT**
CUTTING HEIGHT (mm): 4.5 (114) and higher (2 Blade Set), 3.5 (89) - 4.25 (108) (2 Blade Set), 1.8 (45) - 2.25 (57) (1 Blade Set)

9. **ONLY USE ENMARK HYDRO OIL. FILL TO TOP OF BAFFLE.**
⚠ CAUTION
HOT SURFACE

10. **⚠ CAUTION**
HOT SURFACE

11. **⚠ CAUTION**
DO NOT OPERATE WITHOUT GUARD IN PLACE.

12. Engine RPM 3600 ± 50 (no load)

13. **⚠ CAUTION**
Do not use ether or starting fluid. Severe engine damage will occur.

14. **⚠ WARNING**
TO AVOID INJURY DO NOT RAISE ROLL-OVER PROTECTION WITHOUT THE ROLL-OVER PROTECTION SYSTEM SEAT BELT.
THERE IS NO ROLL-OVER PROTECTION WHEN THE ROLL BAR IS DOWN. Lower the roll bar only when absolutely necessary. Do not wear seat belt in down position. Raise the roll bar and seat belt as soon as operation permits and use seat belt.
STREET RELAY, FAN RELAY, GLOW RELAY, OIL PRESSURE RELAY, CHARGE RELAY

15. 1.5, 2.0, 2.5, 3.0, 3.5, 4.0, 4.5

16. **⚠ WARNING**
ROTATING MECHANICAL DEVICES Can cause serious injury.
• DO NOT operate without guards in place.
• Stop engine before opening cover or removing guards.

17. **⚠ WARNING**
DO NOT OPERATE WITHOUT DISCHARGE DEFLECTOR, ENTIRE GRASS COLLECTION SYSTEM, OR MULCH KIT IN PLACE. DO NOT REMOVE GRASS CATCHER UNTIL BLADES HAVE STOPPED.

18. **PUMP BELT ROUTING**
BELT: 103-4569

19. STREET RELAY, FAN RELAY, GLOW RELAY, OIL PRESSURE RELAY, CHARGE RELAY

20. 103-1788

21. **ANTI-SCALP ROLLER ADJUSTMENT**
For normal operating conditions, roller should be in positions shown for proper ground clearance.
CUTTING HEIGHT (mm): 1.8 (45), 2.0 (51), 2.25 (57), 2.5 (64), 2.8 (71)
FOR MAXIMUM FLOTATION, roller may be positioned lower, but must maintain a minimum of 5/16" (8 mm) ground clearance. Beare caution for rollers to support the mower deck.

22. **⚠ WARNING**
Operating on wet grass or steep slopes can cause sliding and loss of control.
• Wheels dropping over edges can cause rollovers, which may result in serious injury, death or drowning.
• To avoid loss of control and possibility of rollover:
- DO NOT operate near ditches or near water.
- DO NOT operate on slopes greater than 15°. Reduce speed and use extreme caution on slopes.
- Avoid sudden turns or rapid speed changes.
• There is no roll over protection when the roll bar is down.
• Always keep roll bar in the raised and locked position and use seat belt.
• Read and follow rollover protection instructions and warnings.

23. LAZER Z XS

24. **⚠ CAUTION**
PINCH POINT May cause serious injury. Pinch radiator prop securely.

25. **SERVICE AID**
1. Clean engine oil. 2. Check tire tread. 3. Check oil level. 4. Check air filter. 5. Check deck pin. 6. Check deck pin. 7. Check deck pin. 8. Check deck pin. 9. Check deck pin. 10. Check deck pin. 11. Check deck pin. 12. Check deck pin. 13. Check deck pin. 14. Check deck pin. 15. Check deck pin. 16. Check deck pin. 17. Check deck pin. 18. Check deck pin. 19. Check deck pin. 20. Check deck pin. 21. Check deck pin. 22. Check deck pin. 23. Check deck pin. 24. Check deck pin. 25. Check deck pin. 26. Check deck pin. 27. Check deck pin. 28. Check deck pin. 29. Check deck pin. 30. Check deck pin. 31. Check deck pin. 32. Check deck pin. 33. Check deck pin. 34. Check deck pin. 35. Check deck pin. 36. Check deck pin. 37. Check deck pin. 38. Check deck pin. 39. Check deck pin. 40. Check deck pin. 41. Check deck pin. 42. Check deck pin. 43. Check deck pin. 44. Check deck pin. 45. Check deck pin. 46. Check deck pin. 47. Check deck pin. 48. Check deck pin. 49. Check deck pin. 50. Check deck pin. 51. Check deck pin. 52. Check deck pin. 53. Check deck pin. 54. Check deck pin. 55. Check deck pin. 56. Check deck pin. 57. Check deck pin. 58. Check deck pin. 59. Check deck pin. 60. Check deck pin. 61. Check deck pin. 62. Check deck pin. 63. Check deck pin. 64. Check deck pin. 65. Check deck pin. 66. Check deck pin. 67. Check deck pin. 68. Check deck pin. 69. Check deck pin. 70. Check deck pin. 71. Check deck pin. 72. Check deck pin. 73. Check deck pin. 74. Check deck pin. 75. Check deck pin. 76. Check deck pin. 77. Check deck pin. 78. Check deck pin. 79. Check deck pin. 80. Check deck pin. 81. Check deck pin. 82. Check deck pin. 83. Check deck pin. 84. Check deck pin. 85. Check deck pin. 86. Check deck pin. 87. Check deck pin. 88. Check deck pin. 89. Check deck pin. 90. Check deck pin. 91. Check deck pin. 92. Check deck pin. 93. Check deck pin. 94. Check deck pin. 95. Check deck pin. 96. Check deck pin. 97. Check deck pin. 98. Check deck pin. 99. Check deck pin. 100. Check deck pin.

26. **⚠ WARNING**
To avoid serious injury or death:
• Read and understand the operator's manual before using this machine.
• DO NOT operate unless trained to safely use this machine.
• DO NOT operate under the influence of alcohol or drugs.
• DO NOT operate around children, guests, and safety on lawns in place and unsecured.
• Check the location of the operator presence controls (OPC) safety system daily. DO NOT defeat the OPC system.
• Stop engine and remove key before adjusting, removing or changing blades and accessories.
• Hearing protection is recommended.

27. **⚠ DANGER**
KEEP HANDS AND FEET AWAY

28. **⚠ DANGER**
To avoid serious injury or death:
• Avoid areas that could be struck by the blade.
• DO NOT move when people and pet are in the area.
• DO NOT carry any one to the other when changing blades.
• Before leaving the operator's position:
- Disengage PTO.
- Move drive levers out to neutral/lock position.
- Engage park brake.
- Stop engine.

29. **CALIFORNIA SPARK ARRESTER WARNING**
Operator of this equipment may cause sparks that can start fires around dry vegetation. A spark arrester may be required. The operator should contact local fire agencies for fire or regulations relating to the prevention requirements.

30. **TRITON 60**
High Capacity Cutting Platform

31. **TRITON 66**
High Capacity Cutting Platform

32. **TRITON 72**
High Capacity Cutting Platform

33. **⚠ WARNING**
Battery contains sulfuric acid. Avoid contact and always shield eyes, nose, skin and clothing from battery. Operation, flames or sparks could cause battery to explode. Do not charge or use booster cables or adjust post connections without proper training. In event of an accident flush with water immediately. Keep out of reach of children.

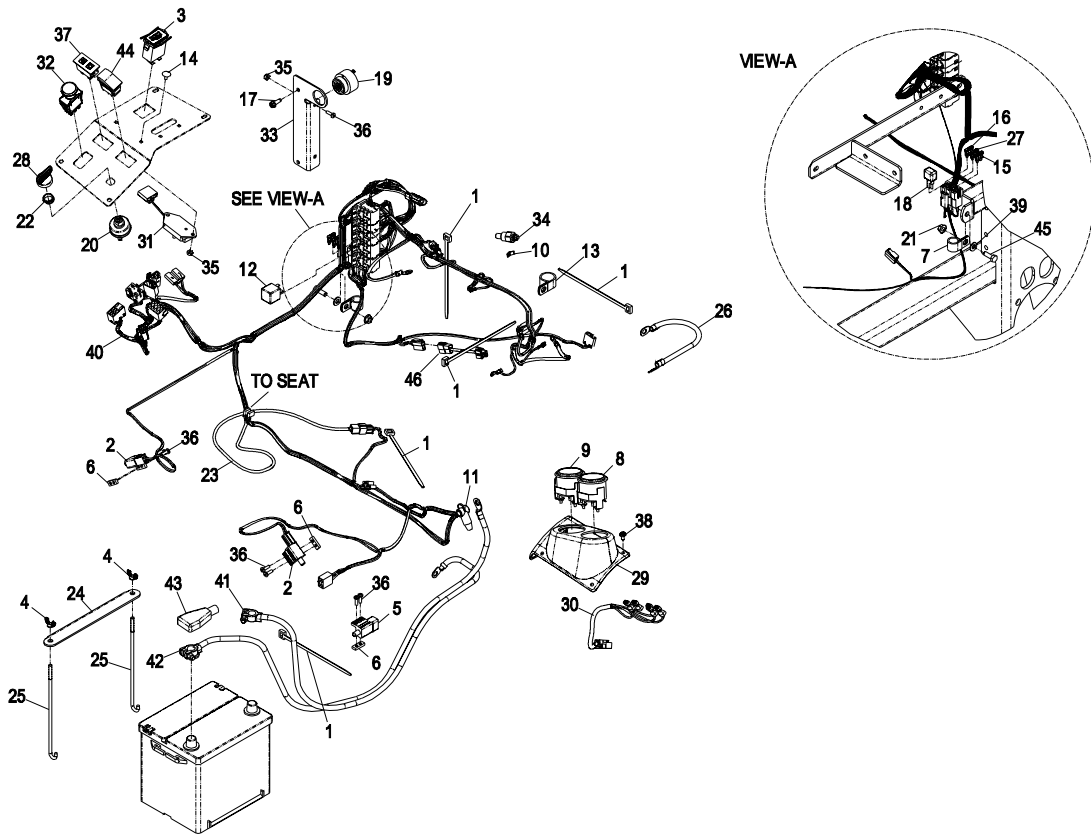
34. **eXmark**

35. **IGNITION**
GLOW PLUGS (max 15 seconds)

36. **XS DIESEL**

37. **XS DIESEL**

ELECTRICAL GROUP



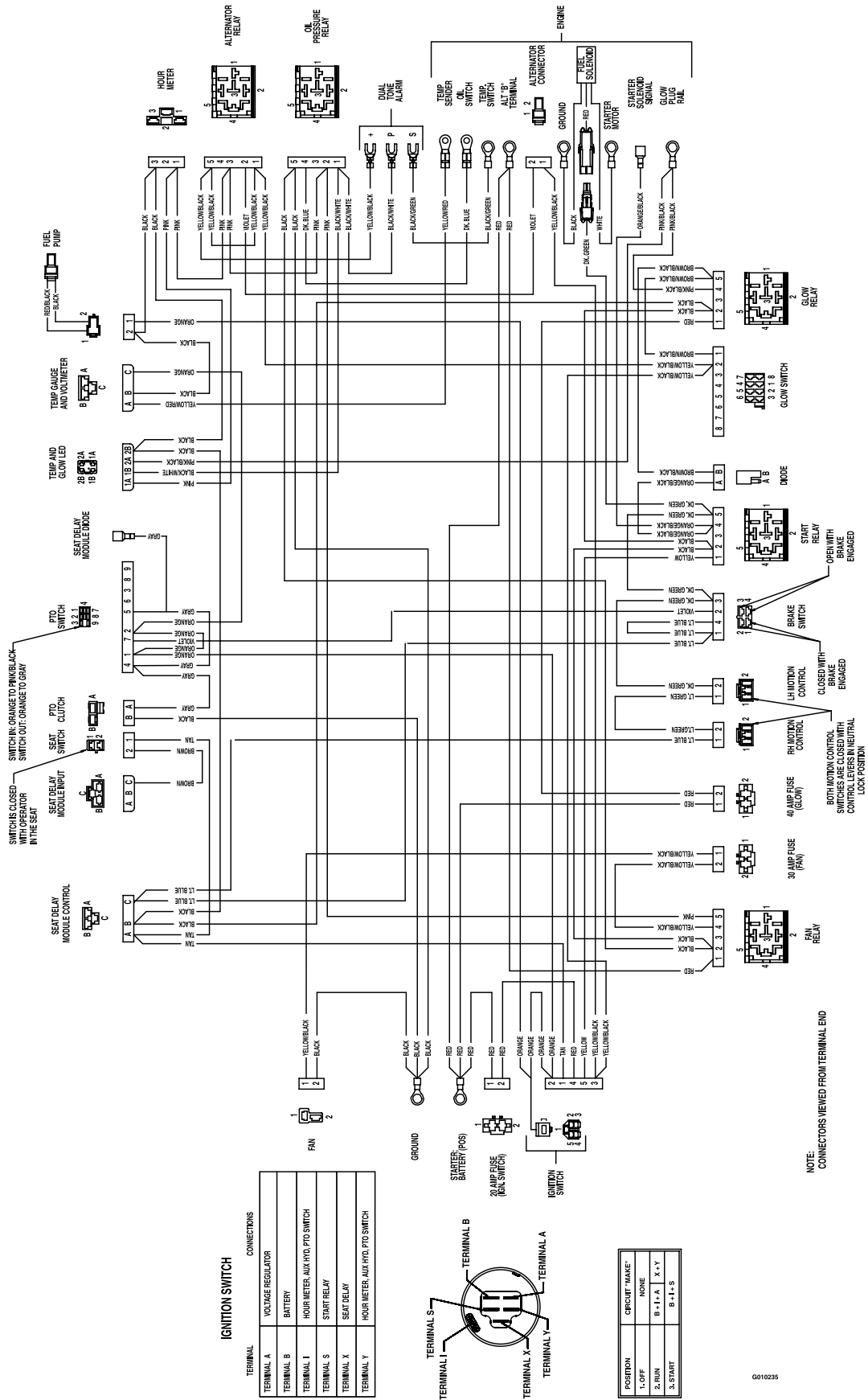
Item	Part No.	Description	Qty.
1	1-303335	Tie, Cable 7 15/16 (Large)	5
2	1-513051	Switch, N.O.....	2
3	1-513374	Meter, Engine Hours	1
4	1-543792	Wingnut, Nyloc 1/4-20.....	2
5	1-633111	Switch	1
6	1-633181	Plate, Tapped	3
7	1-633396	Clip, Loom 5/8.....	1
8	1-643021	Gauge, Temperature.....	1
9	1-643037	Gauge, Voltmeter.....	1
10	1-643145	Tab #10 Stud X .25 Spade 45.....	1
11	103-1420	Insulator, Starter	1
12	1-643275	Relay, 12VDC 40 Amp	5
13	1-643312	Clip, Loom	1
14	1-807513	Bolt, Carriage #10-24 x 1/2	2
15	1-816001	Fuse, 20 Amp	1
16	1-816003	Fuse, 30 Amp	1
17	49-2040	Screw, HWH 1/4-20 x 3/4 TF	2
18	100-4918	Diode	1
19	103-0205	Alarm, Dual Tone 12VDC.....	1
20+	109-4736	Switch, Ignition W/Keys	1
21	32128-20	Nut, Whizlock 5/16-18.....	1
22	103-0498	Nut, Ignition.....	1
23	103-1227	Harness, Wiring Seat.....	1

Item	Part No.	Description	Qty.
24	103-1311-03	Holddown, Battery	1
25	103-1312	Bolt, Battery Hold Down.....	2
26	103-1349	Cable, Engine Ground	1
27	103-1368	Fuse, 40 Amp	1
28	103-2106	Key, Exmark Logo	1
29	103-3684	Bezel, Gauge.....	1
30◆	103-4339	Harness-Gauge	1
31	103-5218	Module, Seat Delay	1
32	103-5221	Switch, PTO	1
33	109-3495	Asm, Relay Mount Bracket	1
34■	103-7886	Sender, Temperature.....	1
35	3296-2	Nut, Nyloc #10-24.....	4
36	3290-500	Screw, PPH #10-24 x 5/8.....	8
37	109-2488	Light Cluster	1
38	109-2661	Screw, PPH #10-24 x 1/2.....	4
39	3256-23	Washer, 5/16 SAE	1
40	109-8734	Harness.....	1
41	109-3074	Cable-Battery (-)	1
42●	109-7607	Asm, Cable-Battery (+)	1
43	103-1340	Insulator, Battery	1
44	110-0811	Switch.....	1
45	322-4	Screw, HH 5/16-18 x 7/8.....	1
46	110-8808	Harness, Wire Fuel Pump.....	1

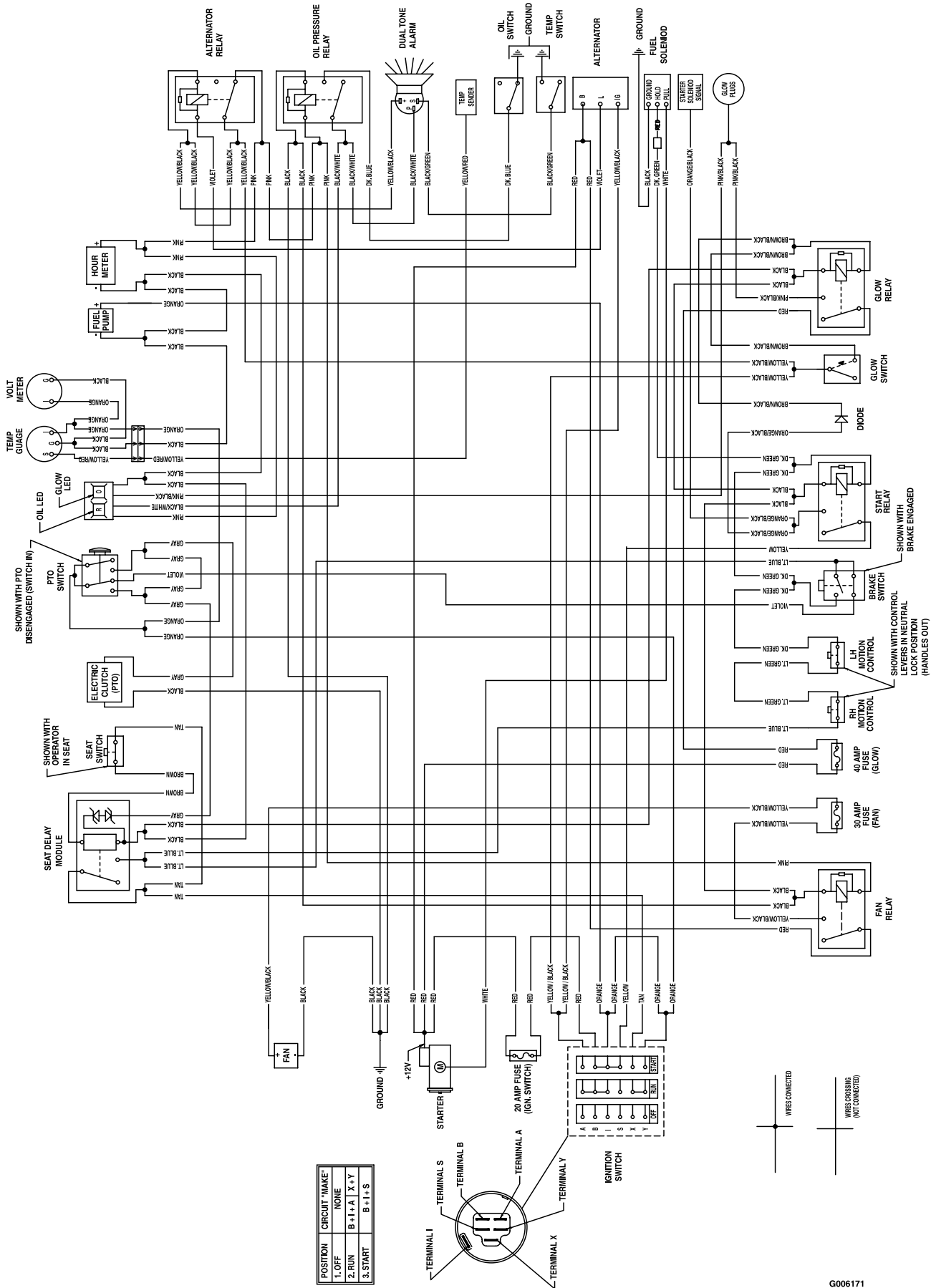
Exmark black touch up spray paint – gloss black.

- ◆ Use dielectric grease on all wiring harness connectors.
- Use Teflon pipe sealant on pipe threads on temperature sending unit.
- + Includes item 28.
- Includes items 11 and 43.

ELECTRICAL DIAGRAM



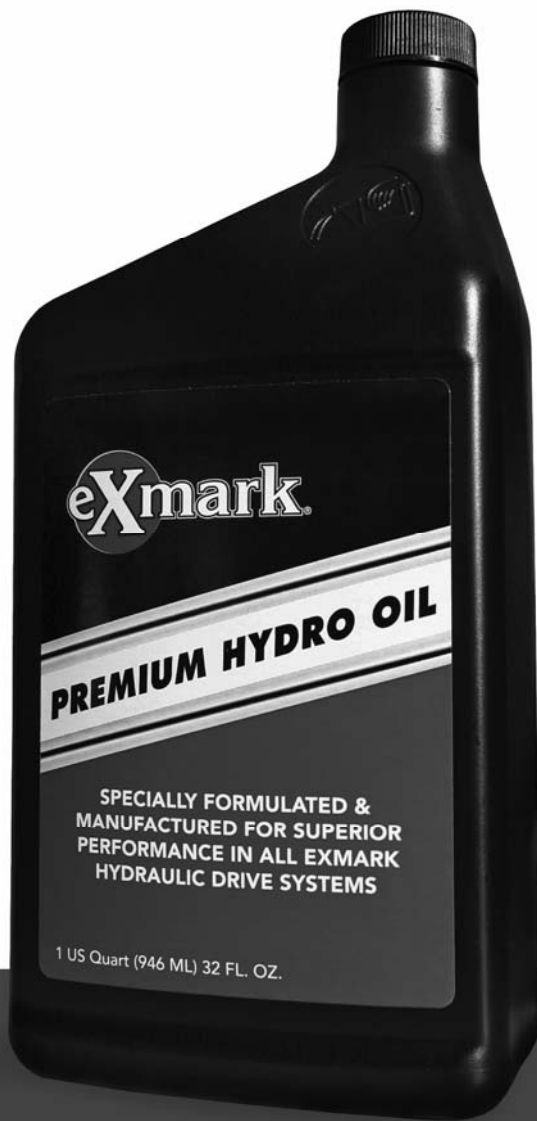
ELECTRICAL LOGIC SCHEMATIC



G006171

NOTES

NEW EXMARK PREMIUM HYDRO OIL



BENEFITS

- Designed & manufactured with superior anti-wear protection
- Superior thermal stability
- Consistent hydro performance
- Superior shear resistance under heavy loads
- Field tested & proven performance
- Twice the shear stability of competing oils
- Enhanced control performance
- Specially formulated for any Exmark hydraulic system

**NOW AVAILABLE
FOR PURCHASE**

Part No. 109-9828



SEE EXMARK'S COMPLETE LINE OF ACCESSORIES

MID-MOUNT RIDING ACCESSORIES

CUSTOM RIDE SEAT SUSPENSION SYSTEM	OPERATOR CONTROLLED DISCHARGE
FULL SUSPENSION SEAT	ROLL OVER PROTECTION SYSTEM (ROPS)
DECK LIFT ASSIST KIT	SUN SHADE
HITCH KIT	TRASH CONTAINER
LIGHT KIT	TURF STRIPER
12V POWER PORT	ULTRA VAC COLLECTION SYSTEM
MICRO-MULCH SYSTEM	ULTRA VAC QUICK DISPOSAL SYSTEM

OUT-FRONT RIDING ACCESSORIES

CUSTOM RIDE SEAT SUSPENSION SYSTEM	SNOW BLADE
DUAL-TAIL WHEEL	SNOWBLOWER
FLOOR PAN EXTENDER	SUN SHADE
HITCH KIT	TRASH CONTAINER
LIGHT KIT	ULTRA VAC COLLECTION SYSTEM
MICRO-MULCH SYSTEM	ULTRA VAC QUICK DISPOSAL SYSTEM
ROLL OVER PROTECTION SYSTEM (ROPS)	WEATHER CAB

WALK-BEHIND ACCESSORIES

GRASS CATCHER	TURF STRIPER
MICRO-MULCH SYSTEM	STANDON

Place Model No. and Serial No.
Label Here (Included in the Literature
Pack or Fill in Below

Model No. _____

Serial No. _____

Date Purchased _____

Engine Model No. and Spec. No. _____

Engine Serial No. (E/No) _____

© 2009 Exmark Mfg. Co., Inc.
Industrial Park Box 808
Beatrice, NE 68310
All Rights Reserved

Part No. 4500-380 Rev. B
(402) 223-6300
Fax (402) 223-5489
Printed In USA



www.exmark.com